

Crochet Cross Stitch Scarf



Instructions

1. Foundation row ch 14.

row 1: dc 1 in seventh ch from hook, ch 1, dc 1 in fifth ch from beg, (sk 2 ch, dc 1 in next ch, ch 1, dc 1 in first skipped ch) twice, dc1 in next ch.

row 2: (ch 3, sk 1 dc and 1 ch, dc 1 in next dc, ch 1, dc 1 in skipped dc) three times, dc in ch. Rep row 2 thirty-four more times.

2. Picot Stitch Edging: Top & Bottom: Ch 1, *sc 1 in dc sp, sc 1 in ch-1 sp, ch2 picot stitch (ch 2, sl st in first ch just made). Rep from *to end of row. At corner, sc 2, Selvages: *Sc 2, ch-2 picot st in spae. Rep from *to end of row. Join with sl st in beg ch. Cut yarn and weave in ends.

Finished size

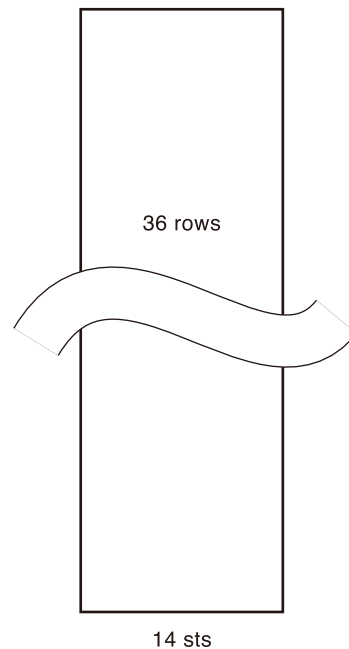
- Approx. 19 cm width, 112 cm length

Needles

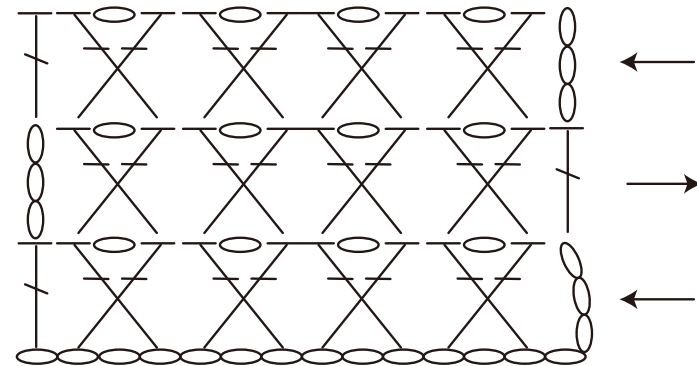
- Amour Crochet Hook(12.0 mm)(Art No. 1058)

Materials

- Super bulky weight yarn (35 m / 70 g): 280 g



● Pattern



● Edging

