

# Honeybee and Flower Coin Purse

## Tools

- Embroidery Stitching Tool (Art No. 8800)
- Embroidery Stitching Tool (Art No. 8801)  
Needle Refill (Single Ply Needle)
- Clover Embroidery Hoop (12 cm) (Art No. 8813)

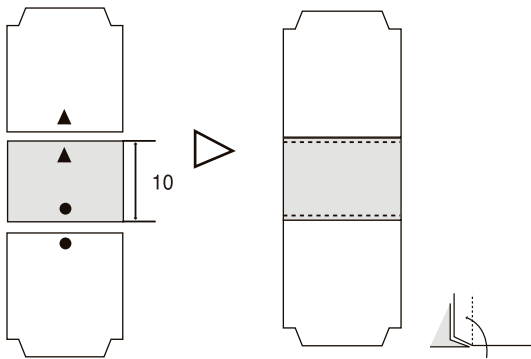
## Materials

- \*Seaw allowance is included.
- Exterior cloth (Brown) 15 x 10 cm...x1  
(Unbleached) 15 x 15 cm...x2
  - Interior cloth (Brown) 15 x 30 cm...x1
  - Clasp: 9 cm width, 5.5 cm in height
- Embroidery thread: refer to design.

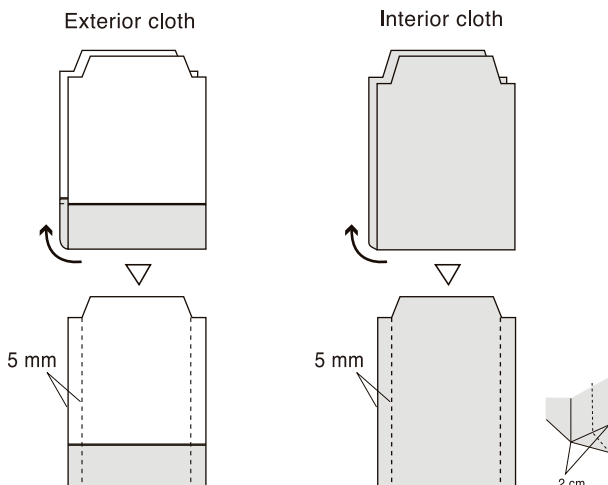


## Instructions

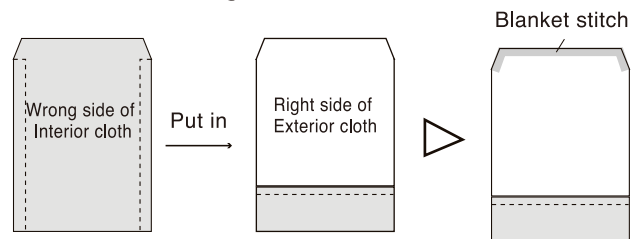
1. Sew the exterior cloth pieces together (wrong side facing up) with a seam width of 1 cm. Press the seam allowances towards the brown cloth and turn the cloths so that the right sides are facing up. Sew a single line of topstitching through the right side of the brown cloth and the seam allowances.



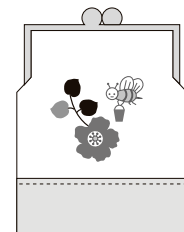
2. Fold both exterior and interior cloths inside out (with right side facing right side). Sew a 5 mm seam along each of the sides. Open the seams and iron flat. Sew a boxed corner with a 2 cm width perpendicular to the seam (as shown in the diagram) and cut away excess cloth.



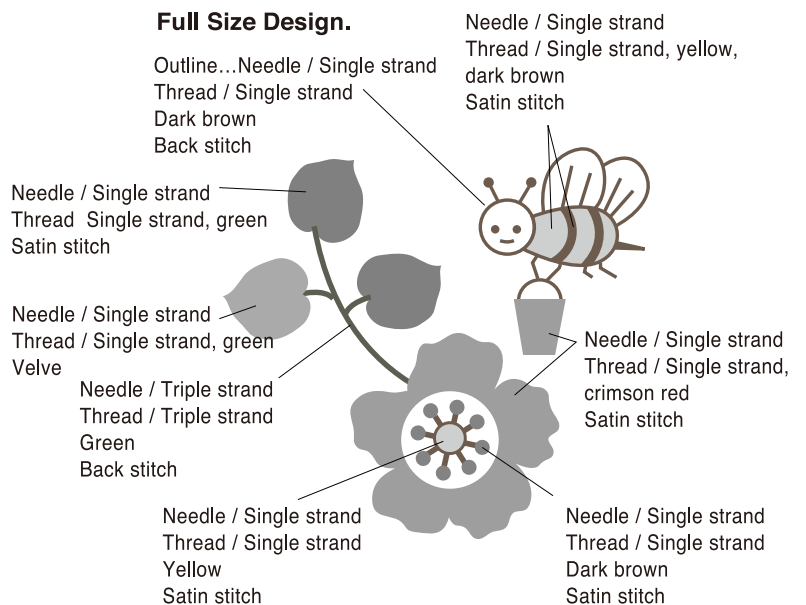
3. Place the Interior cloth (wrong side round) into the Exterior cloth (right side round) so that wrong side touches wrong side when put in. Sew the tops together on each side using a blanket stitch.



4. Affix the clasp to complete.



## Full Size Design.



★ Have each of the needles gauges set to 3

# Honeybee and Flower Coin Purse

---



## Pattern Paper

Enlarge 200 % before using.

