

Sashiko Table Mat



Finished size of mat; 31cm square

Materials

- Plain cotton fabric 64cm x 34cm
(fine enough to see pattern template through a single layer)
- Shashiko thread or embroidery thread
- Sashiko pattern template measuring 28x28cm (attached)

Tools

• [Sashiko needles](#)
(Art No.2007/2009)



• [Rotary Cutter\(45 mm\)](#)
(Art No.7500)



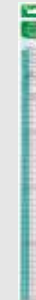
• [Patchwork Scissors17 cm](#)
(Art No.493)



• [Hot Hemmer \(Long\)](#)
(Art No. 7701)



• [Graph Ruler](#)
(Art No.7703)



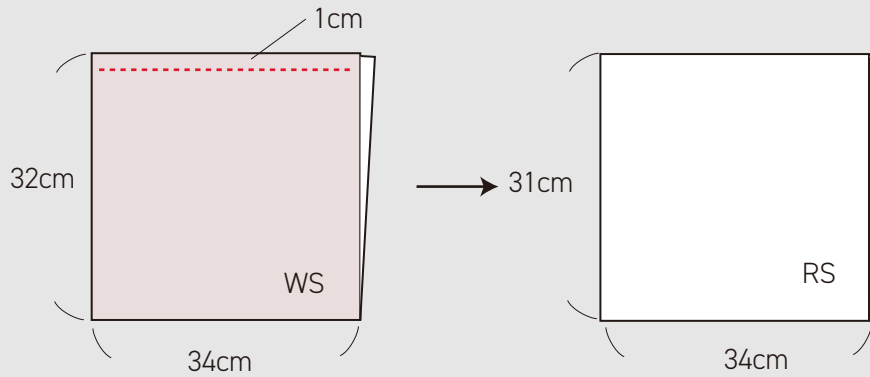
• [Water erasable fabric marker](#)
(Art No.515)



Sashiko Table Mat

Making

1

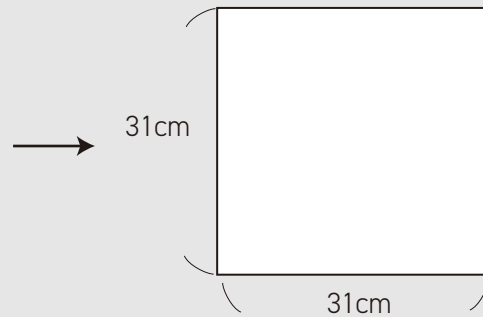
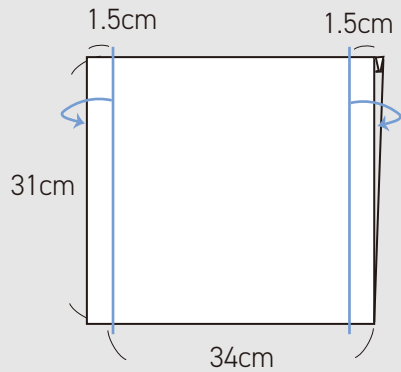


Fold fabric along the length, right sides together.

Machine or hand-stitch a 1cm seam through both layers to form a tube.

Turn tube right side out and press lightly with iron.

2



Turn in the two remaining raw edges by 1.5cm.

Press lightly with iron.

Sashiko Table Mat

3



Slide the Sashiko pattern template centrally between the two fabric layers.

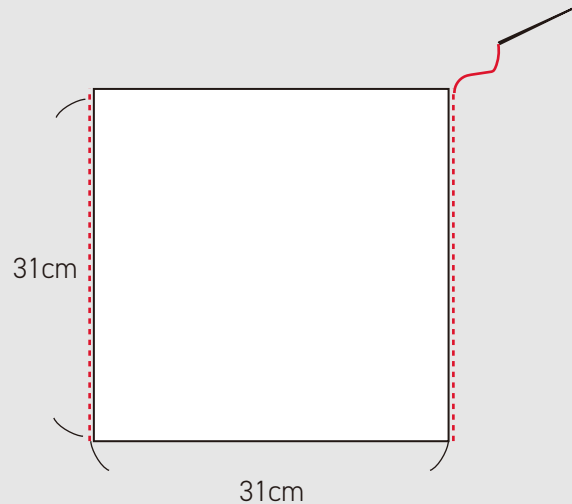
4



Using a water-soluble fabric marker, trace the design seen through the top layer of fabric.

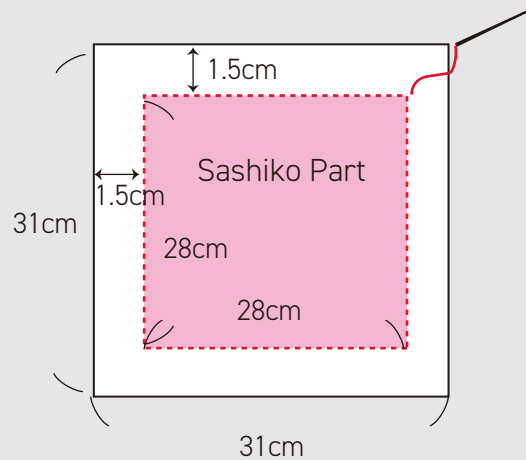
Sashiko Table Mat

5



Remove pattern piece. Stitch along folded edges using a blind hemming stitch.

6

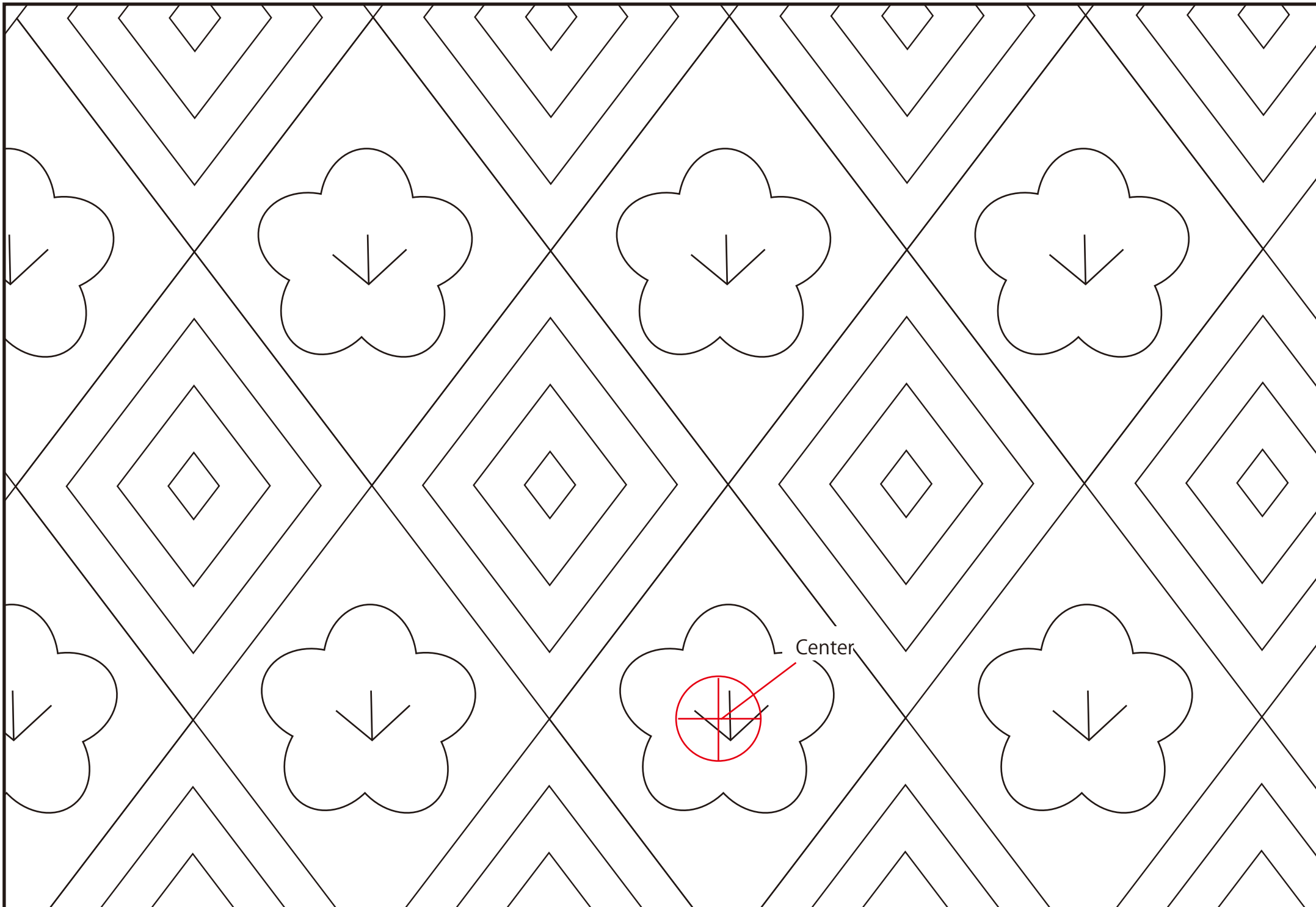


Using Shashiko thread and long needle, sew continuous, evenly spaced running stitches 1.5cm in from edge to form a border around the mat.

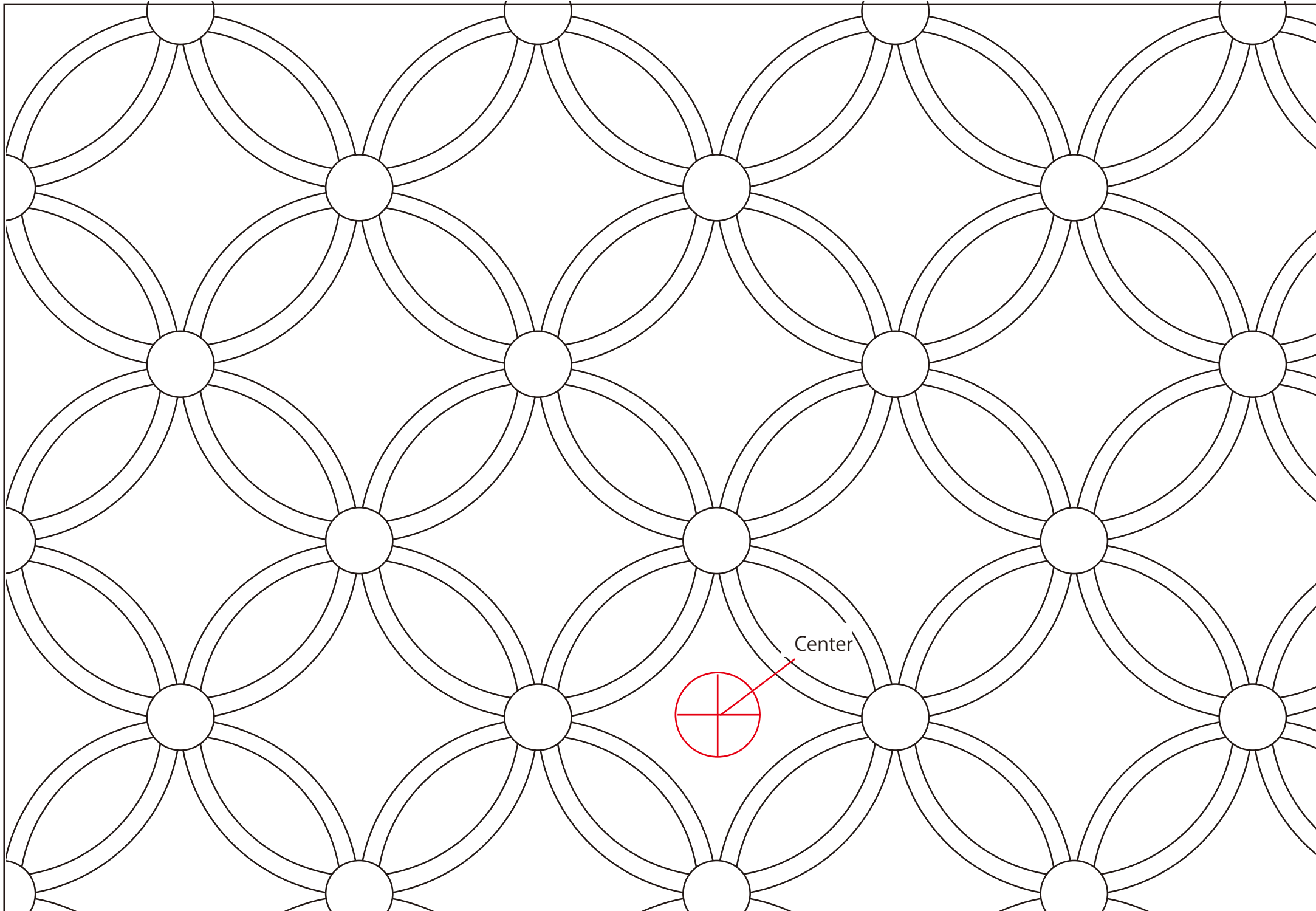
Sew all the straight lines of the Shashiko design using continuous evenly spaced running stitches. For curves, use a shorter needle and work just a few stitches at a time.

When all stitching is complete, soak fabric in water to wash away the marking lines. Leave to dry. Iron to finish.

Peach blossoms and diamond-shaped rice cakes motifs *Actual Size



Shippo *Actual Size



Center

Ganze-Sashi *Actual Size

