

Sashiko Tissue Pouch



Finished size ; 13x9cm

Materials

- Cotton Cloth (22x17 cm)
- Sashiko thread or embroidery thread
- Sewing thread
- Sashiko Pattern (As per attached) 20x15cm

Tools

• [Sashiko needles](#)
(Art No.2007/2009)



• [Tracing Paper "Clover Chacopy"](#) (Art No. 434)



• [Hot Hemmer \(Long\)](#)
(Art No. 7701)



• [Jumbo Wonder Clips](#)
(24 pcs.) (Art No. 3157)



• [Flower Head Pins](#)
(0.55 mm)(Art No. 2505)



• [Rotary Cutter\(45 mm\)](#)
(Art No.7500)



• [Graph Ruler](#)
(Art No.7703)



• [Adjustable Ring Thimble](#)
with Plate (Art No. 611)



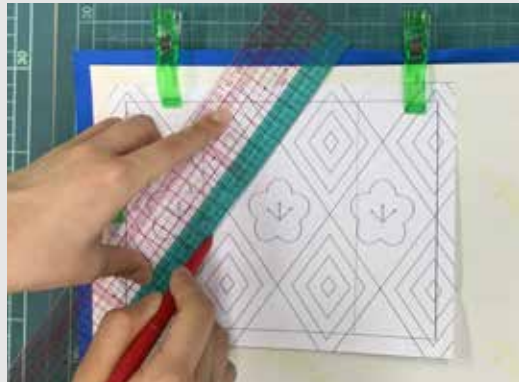
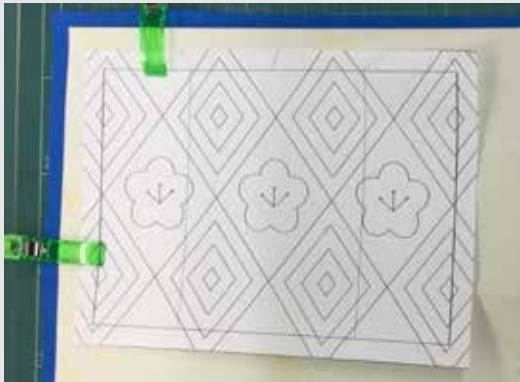
• Tracer

• Sewing scissors

Sashiko Tissue Pouch

Making

1



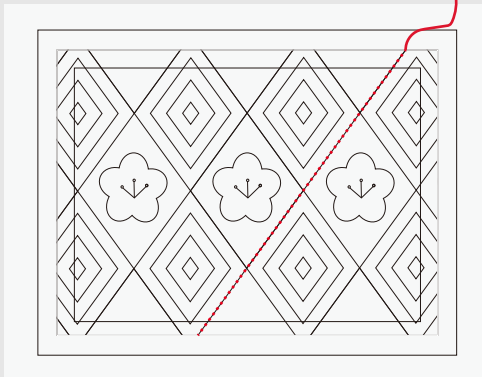
Lay fabric on a hard, flat surface.

Cover with "Clover Chacopy", chalk side facing down on fabric.

Place pattern piece centrally on top with 1cm margin around all sides.

Trace the design lines with a tracer.

2

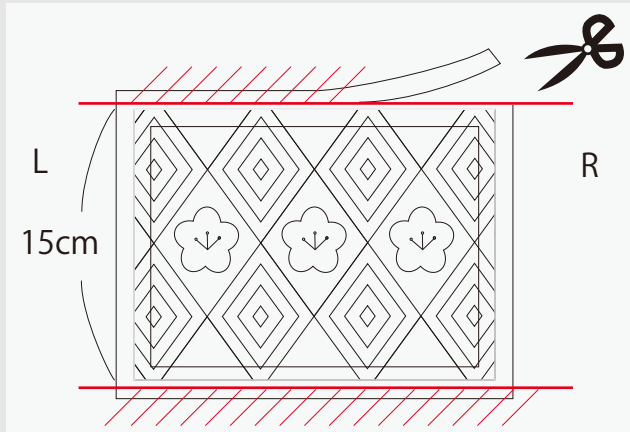


With the pattern now transferred to the fabric, stitch along the design lines using Sashiko Needles.

Tip; Work the straight lines first, using the longer Sashiko needle. Keep stitches even and avoid tension. Using the shorter Sashiko needle and working fewer stitches at a time, sew the curves and finer detail.

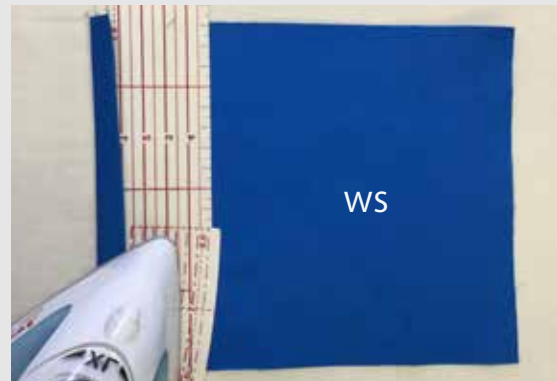
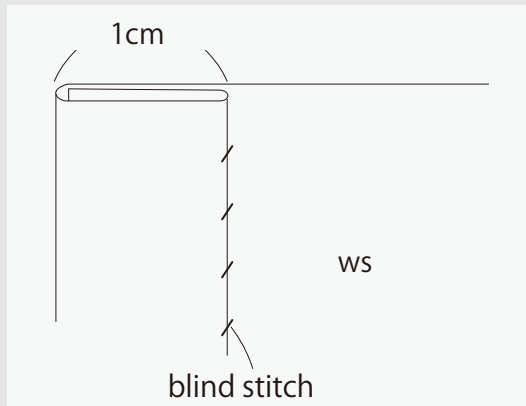
Sashiko Tissue Pouch

3



Leave a 1cm unembroidered margin along L and R sides, (see image), trim top and bottom raw edges to give a 15cm length, taking great care not to cut into embroidered areas.

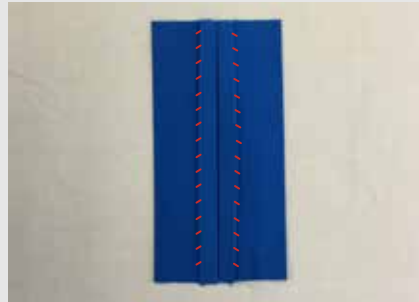
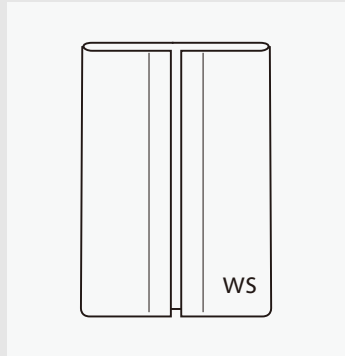
4



Along L and R sides, fold the 1cm of plain fabric to wrong side followed by 1cm of embroidered fabric, making a double fold hem. Blind stitch with sewing thread.

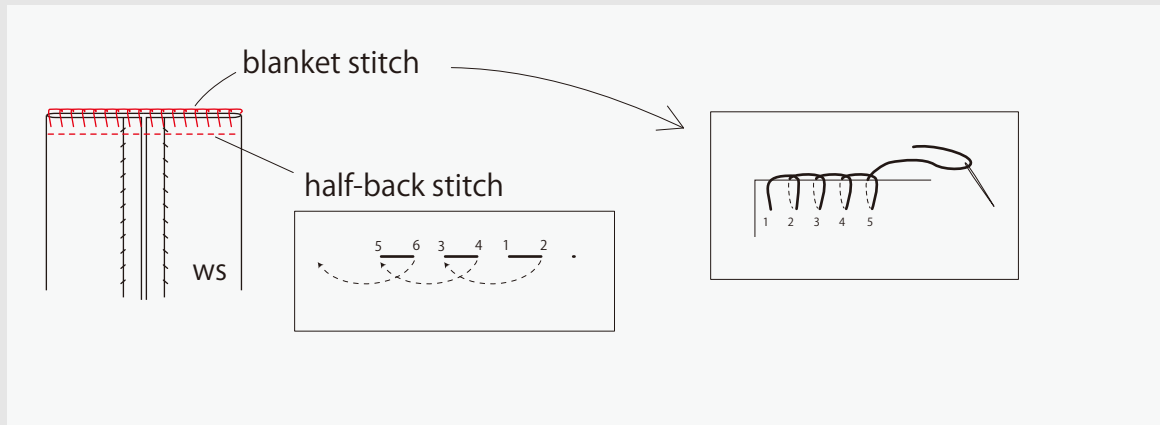
Sashiko Tissue Pouch

5



Fold the fabric as shown in the image.
(WS out with hems facing together centrally)

6



Work a half-back stitch or machine along the 2 remaining sides.
Finish raw edges with a blanket stitch.
Turn the pouch to RS.

Sashiko Tissue Pouch

