

# Meshwork Bag

## Materials and Cutting

◆ Fusible tape used for meshwork ◆

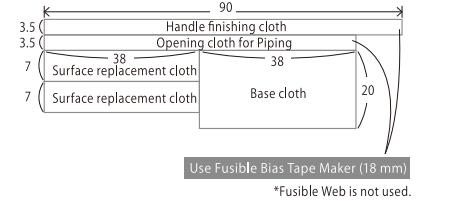
- Cotton print (Brown border) - A 90-110 cm width x 50 cm
- Cotton print (Green check) - B
- Cotton print (Yellow check) - C

\*[A] Trim the border grip at a width of 3.5 cm (3.5 x 25 cm used for 40 pieces)

\*[B] · [C] Trim each to 3.5 cm wide (For 90 cm width, 3.5 x 90 for each 14 pieces) (For 110 cm width 3.5 x 110 for each 10 pieces)

- Fusible Web (10 mm width/12 m roll) : 3 pcs.
- Fusible Bias Tape Maker (18 mm)

◆ Front and Base Cloth, Handle- Piping Cloth ◆  
Cotton cloth (brown) - [D] ...90 to 110 width x 30 cm



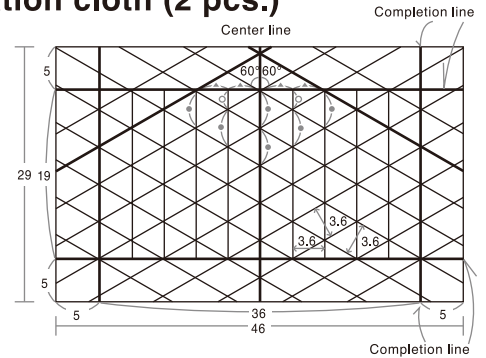
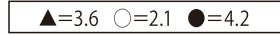
◆ Other ◆

- Cotton cloth (Unbleached) -(E)...90-110 cm x 100 cm
- Back cloth 80 x 45 cm
- Base cloth 46 x 29 cm (cut 2)
- Bias cloth 4.5 x 35 cm (cut 2)
- Quilt batting 80 x 45 cm
- Handles 1st (OD : 15 cm)
- 8 buttons (diameter 1.3 cm)

## 1. Draw the base line (thick line) and the reference line (thin line) on the foundation cloth (2 pcs.)

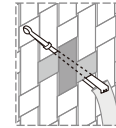
- ① Draw a center line and completion line on the front side of the foundation cloth [E]
- ② ▲ Draw a vertical line at a length of 3.6 cm
- ③ Draw horizontal lines in both directions

It is useful if you have a ruler or protractor that can draw an angle of 60°.

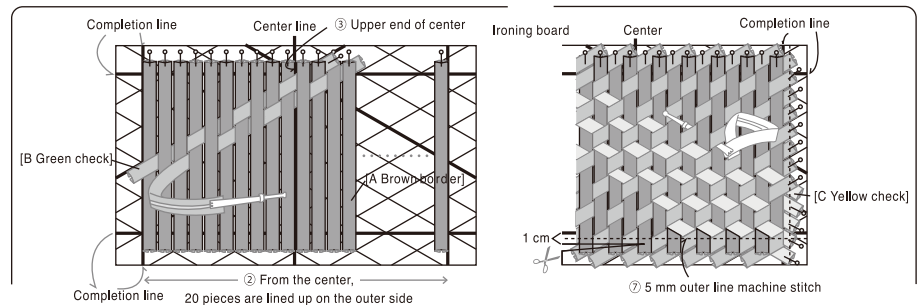


## 2. Meshwork

- ① Place the foundation cloth on an ironing board.
- ② Fix 20 pieces of fusible tape from [A Brown border] side by side with pins.
- ③ Align the fusible tape of [B Green check] with the diagonal base line at the center and pass it in the direction from the upper right to the lower left. Add 1 piece of tape to the two vertical pieces of [A Brown border] on the front for support, and repeat.
- ④ From the second piece, pass through the vertical strips as shown in the diagram below.



- ⑤ Pass the fusible tape of [C Yellow check] in the direction from the lower right to the upper left [A Brown border] 1 piece of tape on left and right [B Green check] Sliding under the second and third pieces as you go. Repeat the process. Continue with step [C Yellow check] to the side and it will become a pattern.

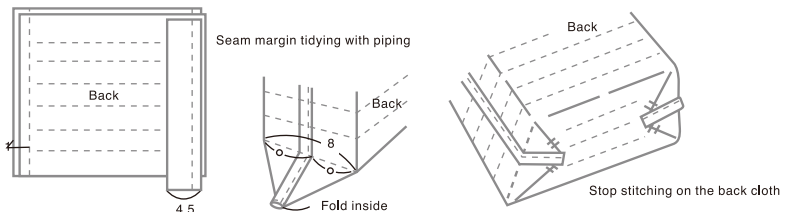


- ⑥ After completing the assembly, bond it to the foundation cloth with an iron.
- ⑦ Sew a line of stitching 5 mm outside the finish line.

## 3. Tailor the Bag

- ① Make the front by sewing upper cloth and base to meshwork.
- ② Take the [E] back cloth, the quilt batting and the front cloth from ①, and pile them together. Quilt them together using a sewing machine.
- ③ When going around the outer edges with the sewing machine, leave a 1 cm margin for a seam.

- ④ Turn the front cloth inside out and stitch both sides with 4.5 cm wide bias cloth [E Unbleached] and tidy the cloth edges with piping. Next pinch up the base cloth corners into a triangle and sew in a gusset.



- ⑤ Tidy up the bag with opening cloth.
- ⑥ Use [D Brown] cloth for the finishing off of the handle.

