

Tunisian Crochet: Scarf (Plain)

Instructions

With double ended Tunisian crochet hook

1. Foundation row: ch35

Forward Pass: Yarn A, work in Tss - Return Pass: Yarn B, work in closing, using the other end of hook

Row 2: Forward Pass Yarn B, work in Tss - Return Pass: Yarn A, in closing.

Work 272 rows. Follow the diagram carefully for colour changings.

2. Bind Off: with yarn A, *Tunisian sl st (Insert hook into vertical bar on front, yo pull yarn through two loops on hook).

Rep from* to end of the row. Continue edging with crochet hook.



Needles

- Double Ended Tunisian Crochet Hook (Art No.1305/G)
- Soft Touch Crochet Hook(Art No.1031/3.0) or Amour Crochet Hook(Art No.1052)

Notions

- Darning needle

Materials

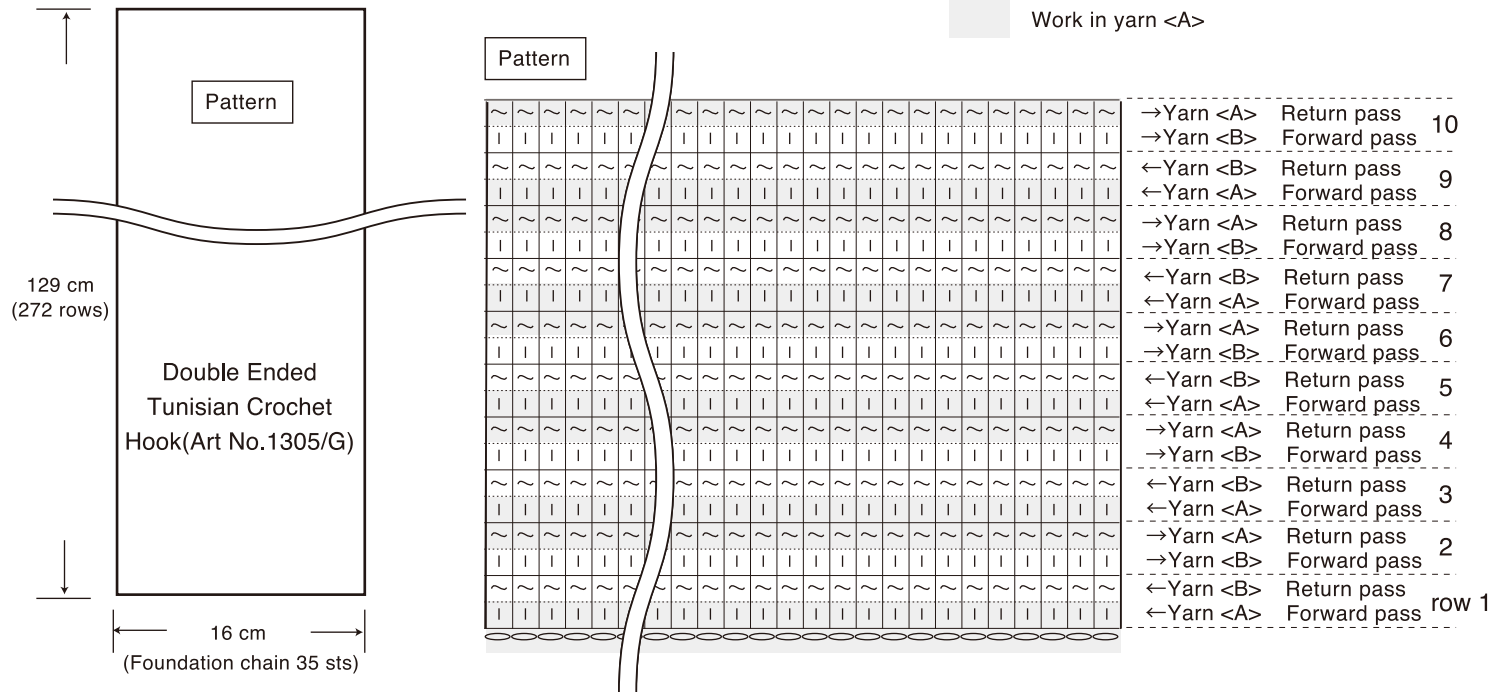
- Yarn <A> Sock weight yarn (120 m / 30 g): 80 g
- Yarn Sock weight yarn (120 m / 30 g): 50 g

Gauge

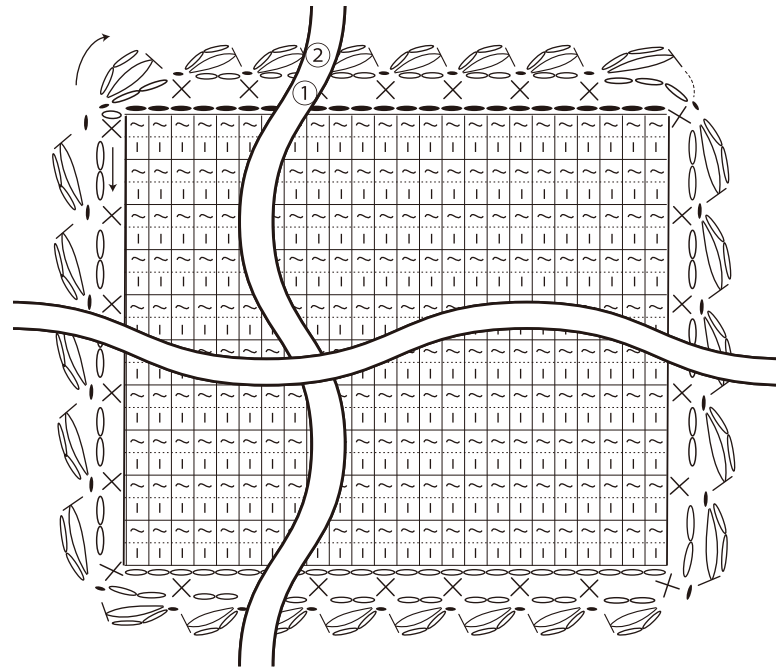
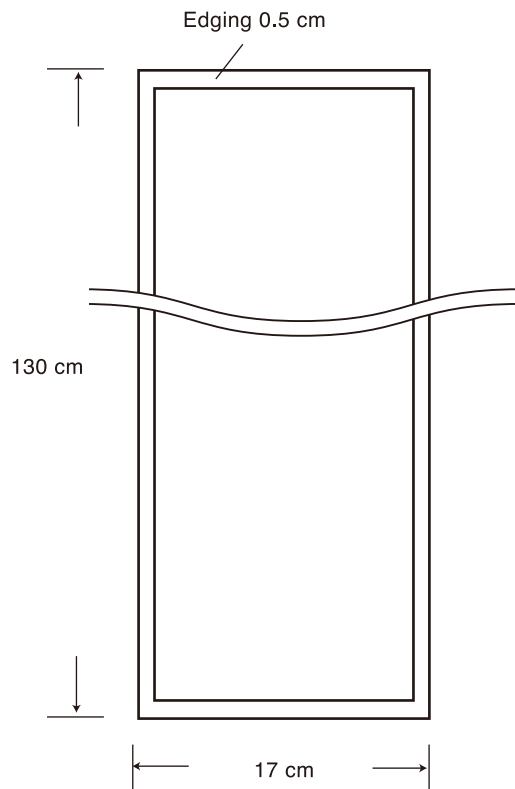
- 10 cm 22 sts 21 rows

Finished size

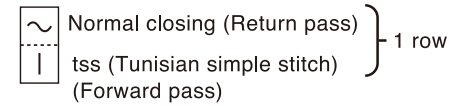
- 17 cm width, 130 cm length



Tunisian Crochet: Scarf (Plain)



Double ended Tunisian crochet stitch key



Crochet stitch key

- cs (chain stitch)
- sl st (slit stitch)
- X sc (single crochet)
- ⌘ 2-hdc cluster (2-half double crochet cluster)

Edging Rnd1: ch 1 to turn up, sc 1,
 Selvages: sk (forward pass 2, return pass 1), ch 2, sc 1 in next return pass.
 Top/Bottom: sk ch 2, ch 2, sc 1 in next ch.
 Top right corner: sk ch 3, ch 3, sc in next chain.
 Ending with ch 2, join with sl st in beg ch.

rnd 2: Turn the work and knit backward.
 *ch 2, 2-hdc cluster, join with sl st in next sc; rep from * around.
 Cut yarn and weave in ends.