

Tunisian Crochet: Flat Bag

*Knit in a way that follows the run of your eye. (Refer to the arrow direction of the diagram.)



Handle: Single StitcNeer

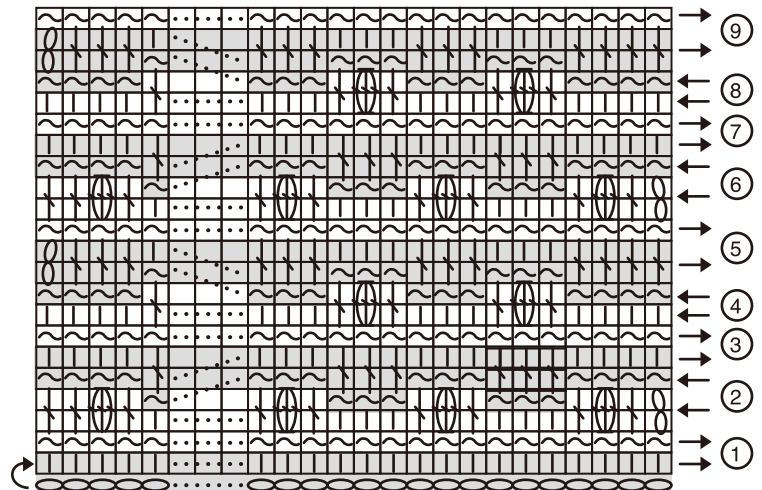
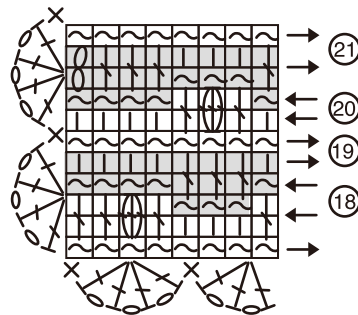
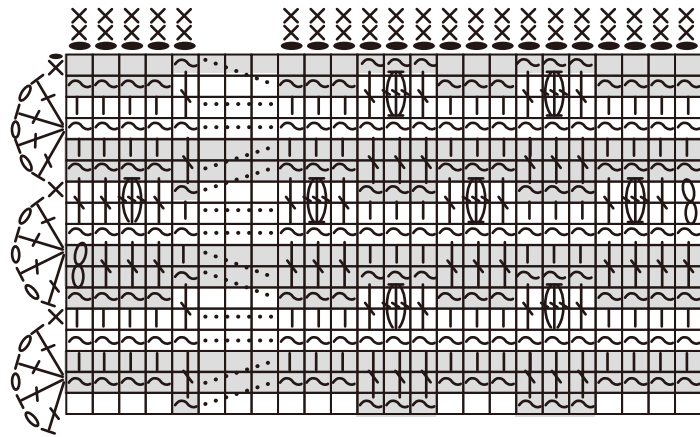
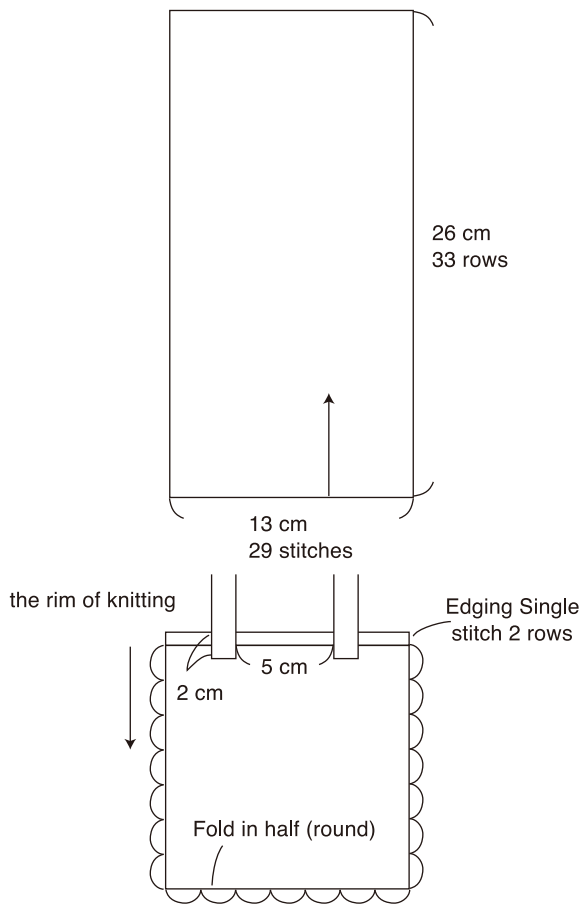


Materials

- Aran (53 m/20 g)
- Color A: 20 g
- Color B: 20 g

Needles

- Double Ended Tunisian Crochet Hook (4.0 mm) (Art No.1305/G)



Foundation chain 29 sts

Instructions

1. Follow the diagram and stitch 34 rows of 29 ch.
2. Fold in half, and stitch both sides with edging.
3. Using color A, make 2 rows on sc at the opening of the bag.
4. Stitch the two handles using color A.