

Nordic Style D



Tools

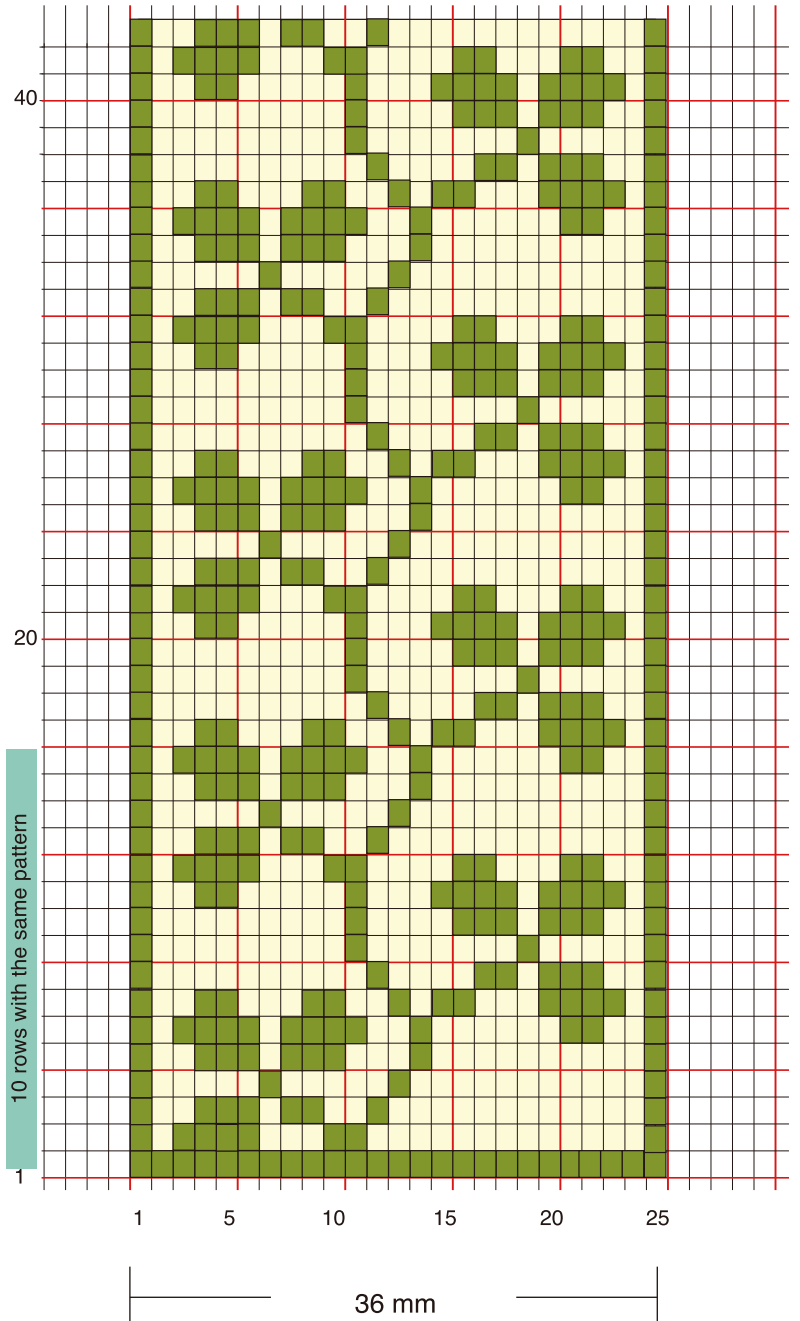
- Clover Beading Loom (Art No. 9910)

Materials

- Cylinder beads
- Beading thread #60 (Polyester)

If making a bracelet, you will need Pearl bead (8 mm) x 1.

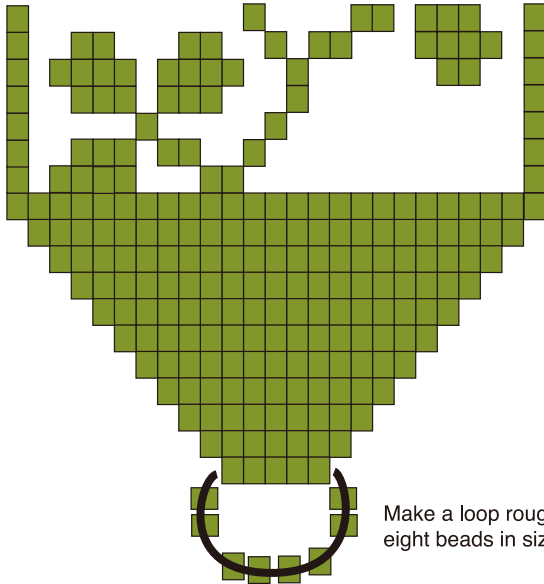
If making a neck strap, you will need the required strap.



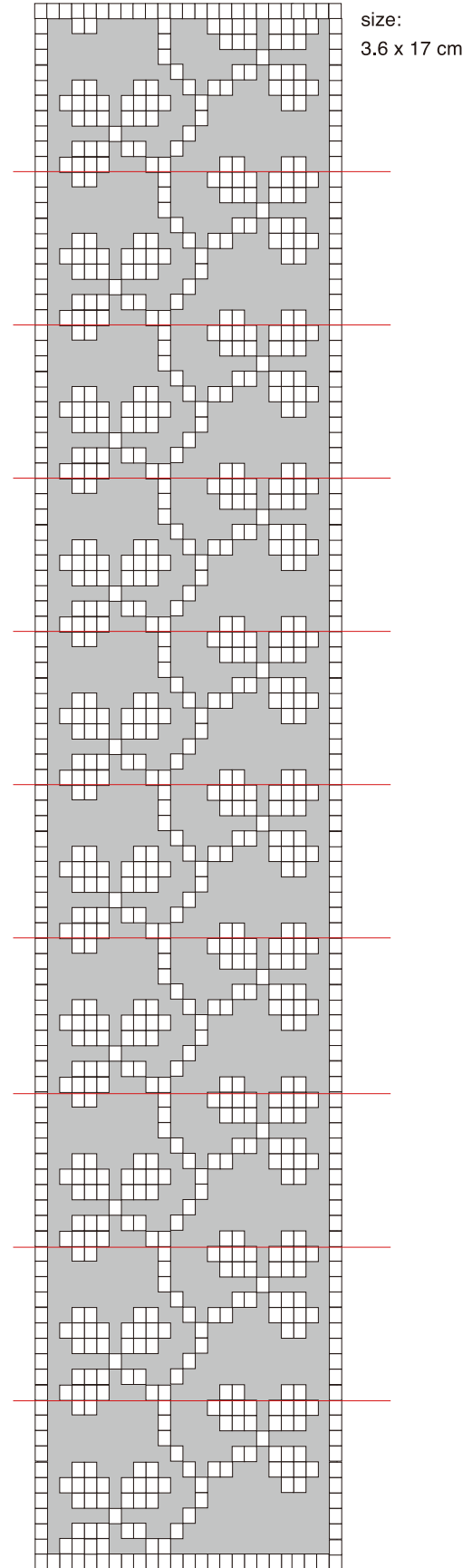
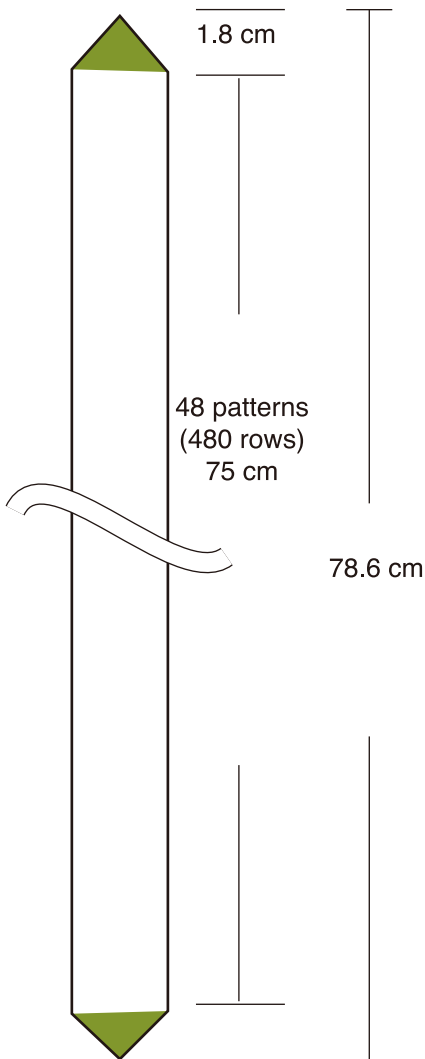
Nordic Style D

If making a bracelet, refer to the following diagram.
 Check "BEADING LOOM <Accessories>"
 on how to make the loop and ball.

To make a neck strap, please refer to the image below.
 Make a triangle shape at the both of start and finish of weaving.
 Attach a loop to both before adding your strap.



Make a loop roughly with
 eight beads in size.



1 row + 10 rows x 10 patterns + 1 row = 102 rows