

# Sashiko Tissue Pouch



Finished size ; 13x9cm

## Materials

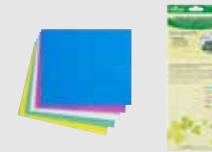
- Cotton Cloth (22x17 cm )
- Sashiko thread or embroidery thread
- Sewing thread
- Sashiko Pattern (As per attached) 20x15cm

## Tools

• [Sashiko needles](#)  
(Art No.2007/2009)



• [Tracing Paper "Clover Chacopy"](#)  
(Art No. 434)



• [Hot Hemmer \(Long\)](#)  
(Art No. 7701)



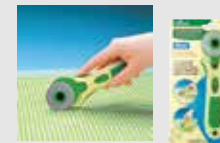
• [Jumbo Wonder Clips](#)  
(24 pcs.) (Art No. 3157)



• [Sewing pins](#)  
(Art No. 2505)



• [Rotary Cutter\(45 mm\)](#)  
(Art No.7500)



• [Graph Ruler](#)  
(Art No.7703)



• [Adjustable Ring Thimble with Plate](#) (Art No. 611)



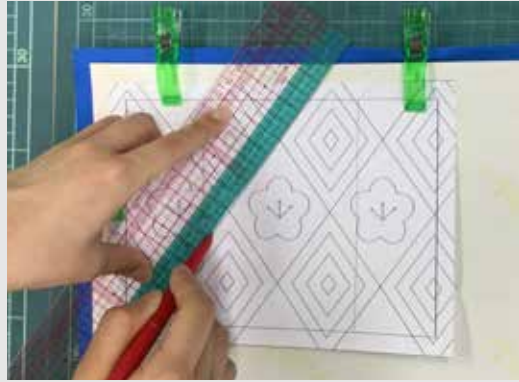
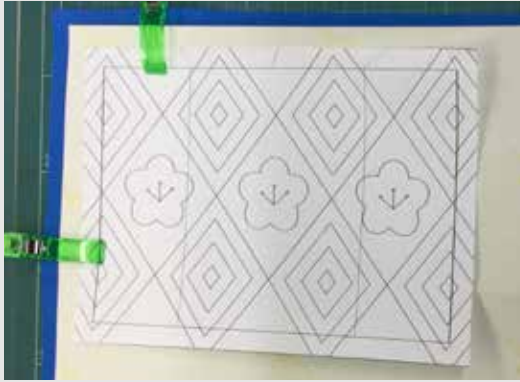
• [Tracer](#)

• [Sewing scissors](#)

# Sashiko Tissue Pouch

## Making

1



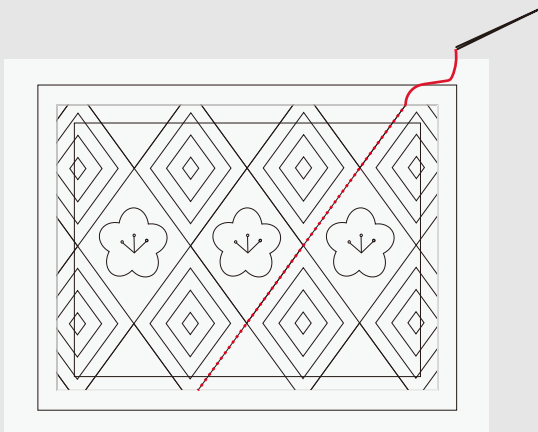
Lay fabric on a hard, flat surface.

Cover with "Clover Chacopy", chalk side facing down on fabric.

Place pattern piece centrally on top with 1cm margin around all sides.

Trace the design lines with a tracer.

2

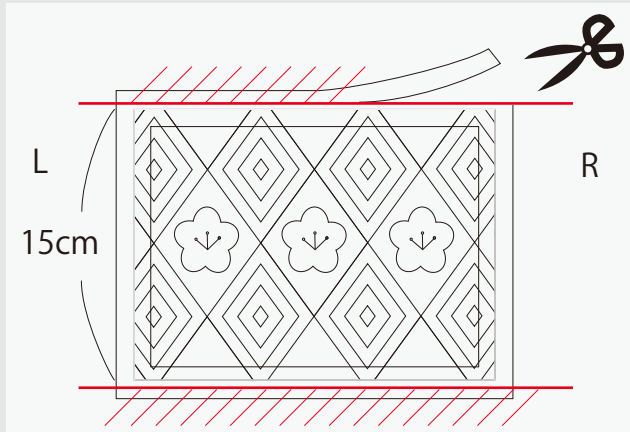


With the pattern now transferred to the fabric, stitch along the design lines using Sashiko Needles.

*Tip; Work the straight lines first, using the longer Sashiko needle. Keep stitches even and avoid tension. Using the shorter Sashiko needle and working fewer stitches at a time, sew the curves and finer detail.*

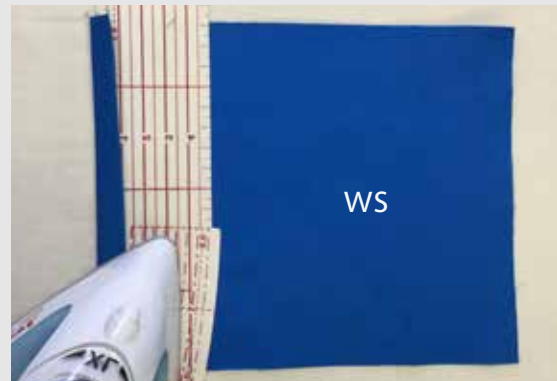
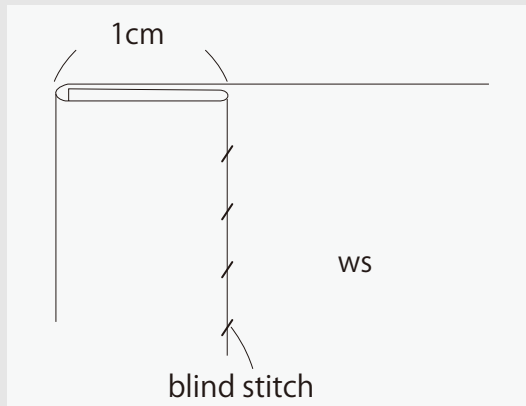
# Sashiko Tissue Pouch

3



Leave a 1cm unembroidered margin along L and R sides, (see image), trim top and bottom raw edges to give a 15cm length, taking great care not to cut into embroidered areas.

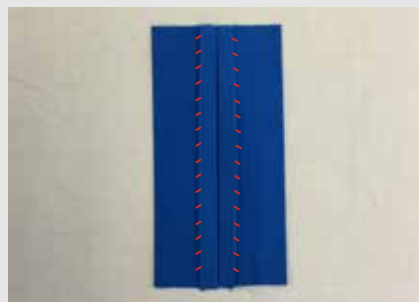
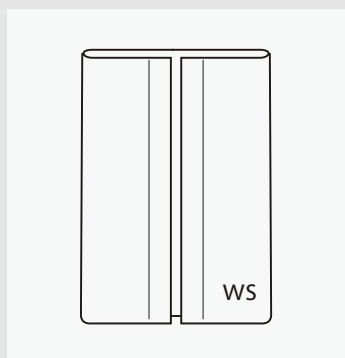
4



Along L and R sides, fold the 1cm of plain fabric to wrong side followed by 1cm of embroidered fabric, making a double fold hem. Blind stitch with sewing thread.

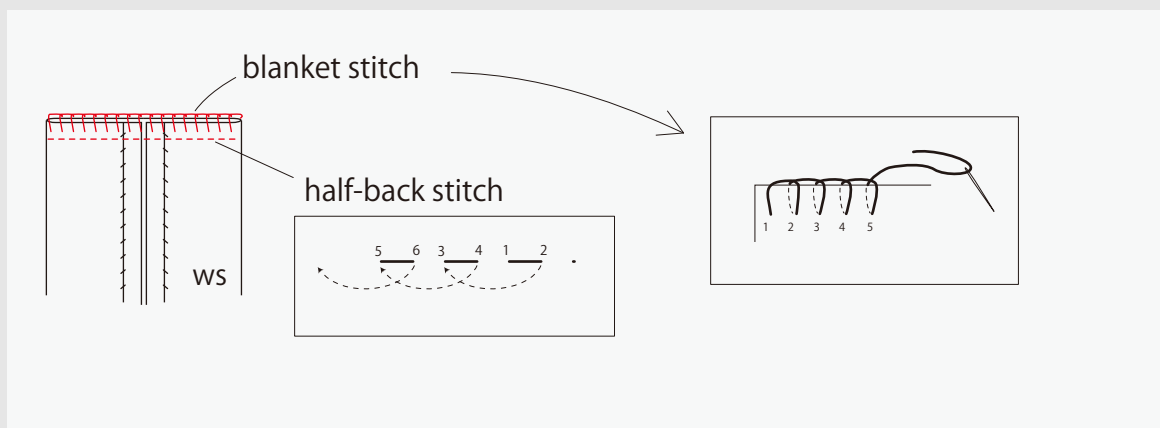
# Sashiko Tissue Pouch

5



Fold the fabric as shown in the image.  
(WS out with hems facing together centrally)

6



Work a half-back stitch or machine along the 2 remaining sides.  
Finish raw edges with a blanket stitch.  
Turn the pouch to RS.

# Sashiko Tissue Pouch

