

Eco Shopping Bag



Finished size; 28cm length *38cm height (10cm width)
Designed by Ayumi Yamada

Materials

- Fabric: 110 x 50cm
- matching sewing thread

Tools

• [Stitch Guide](#)
(Art No.7708)



• [Hot Hemmer](#)
(Art No. 7700)



• [Graph Ruler \(50 cm\)](#)
(Art No. 7703)



• [Easy Loop Turner](#)
(Art No. 472)



• [Wonder Clips \(10 pcs.\)](#)
(Art No.3155)



• [Jumbo Wonder Clips \(24 pcs.\)](#)
(Art No. 3157)



• [Roll & Press](#)
(Art No. 7812)



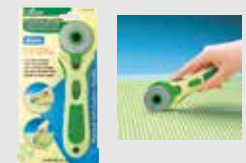
• [Curved Tailor's Awl](#)
(Art No.4880)



• [Water Erasable Marker \(Fine\)](#)(Art No. 515)



• [CLOVER Rotary Cutter \(45 mm\)](#)(Art No. 7500)



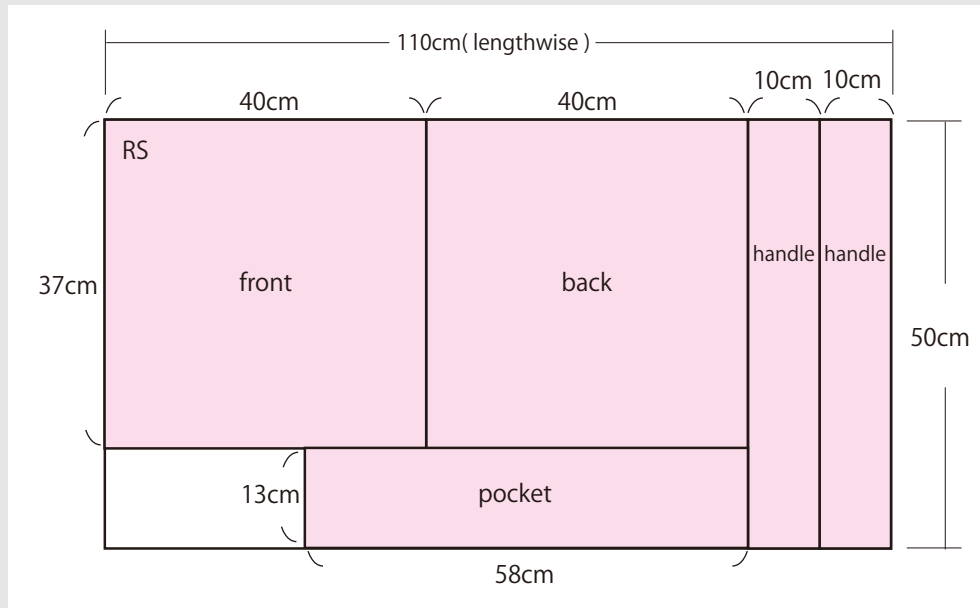
• sewing machine

• iron

Eco Shopping Bag

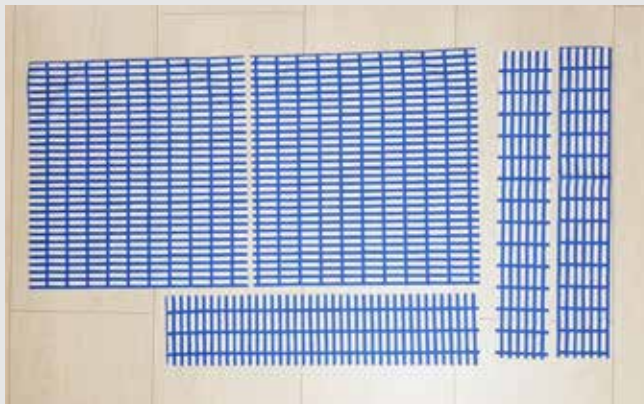
Cutting

1



Lay the fabric as shown in the image and draw cutting lines with water erasable marker.

Cut out each section. (Seam allowances are included)

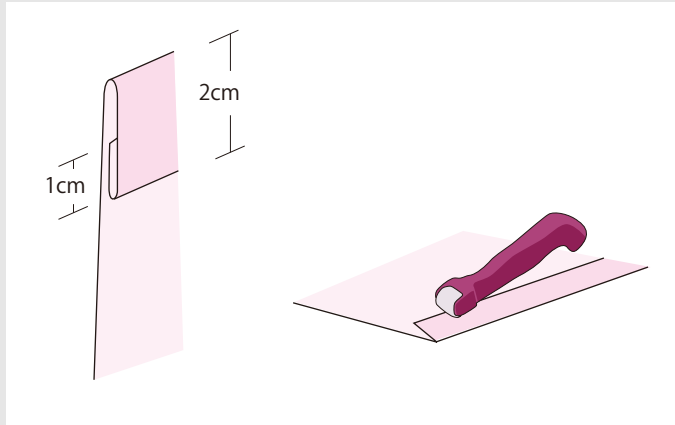


Eco Shopping Bag

Making

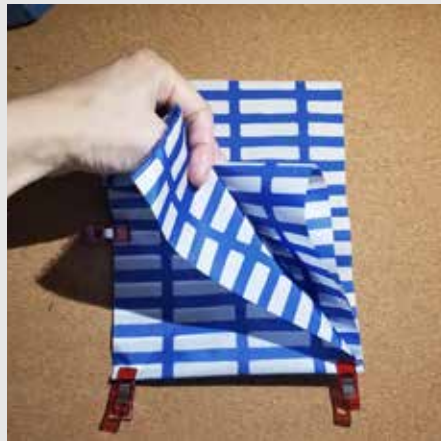
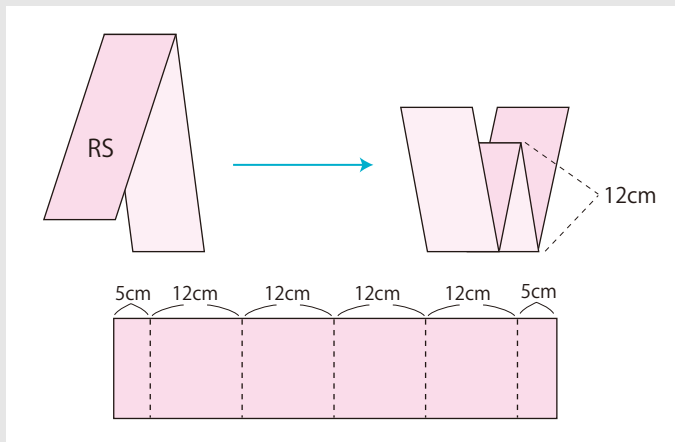
Iron each piece (for fabric that cannot be ironed, use Roll & Press)

2



Fold the top edges of front and back sections to wrong side as illustrated.

3

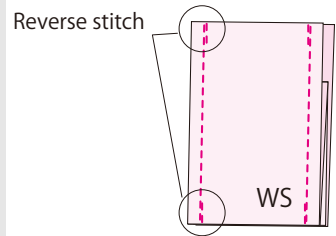


Fold pocket section in half, wrong sides facing (right side out), making a "W" shape as shown in the diagram.

Eco Shopping Bag

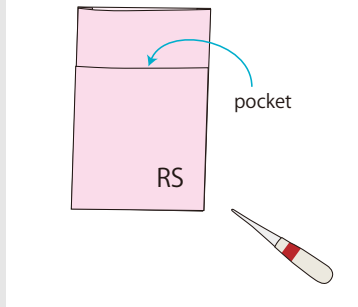
Make inner pocket

4 1.



1. Sew the pocket sides along the 1cm seam allowance.

2.



2. Turn through to right side out.

3.

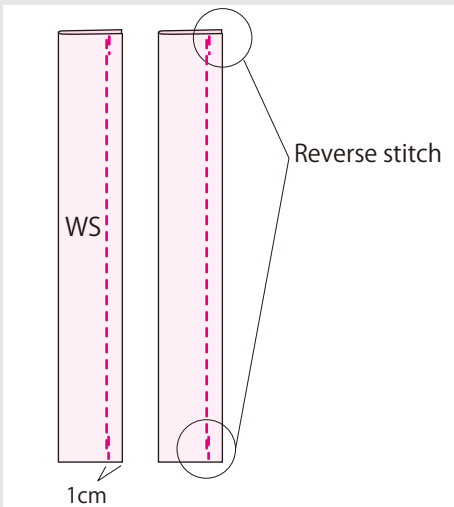


3. Use the awl to make the corners neat. Press using the Roll & Press or iron.

Eco Shopping Bag

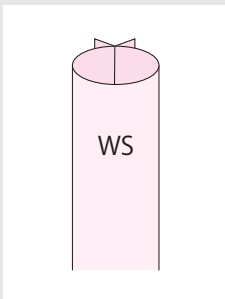
Make bag handles

5



Fold the fabric RS together along the length of each strap and sew the 1cm seam allowance as illustrated.

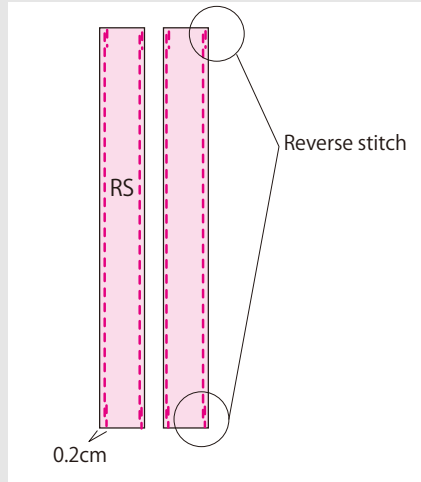
6



Open the seam allowance using iron or Roll & Press and turn through to RS using easy loop turner (Art No.472).

Eco Shopping Bag

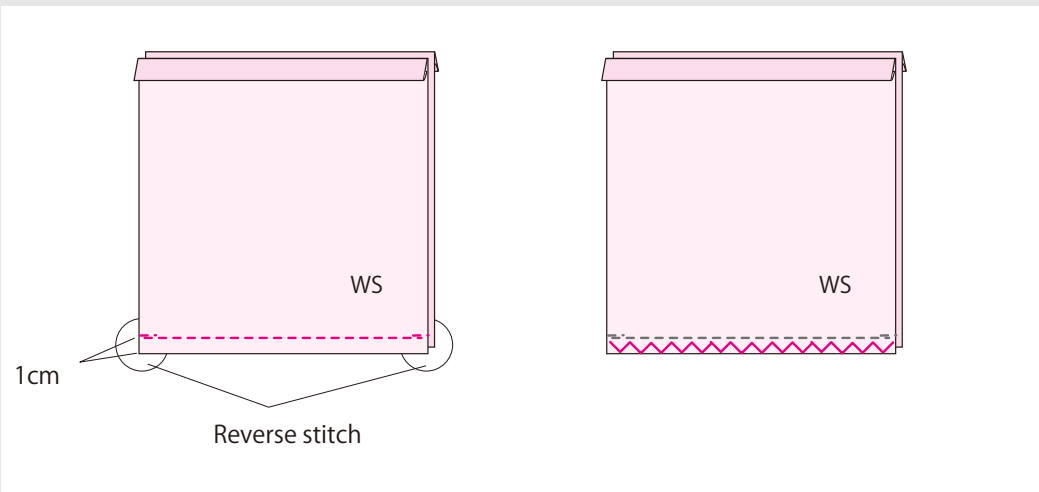
7



With seams positioned centrally along the back of each strap, press flat with iron or Roll & Press and top stitch 0.2cm in from edge along both sides.

Position front and back sections together and sew bottom of bag

8



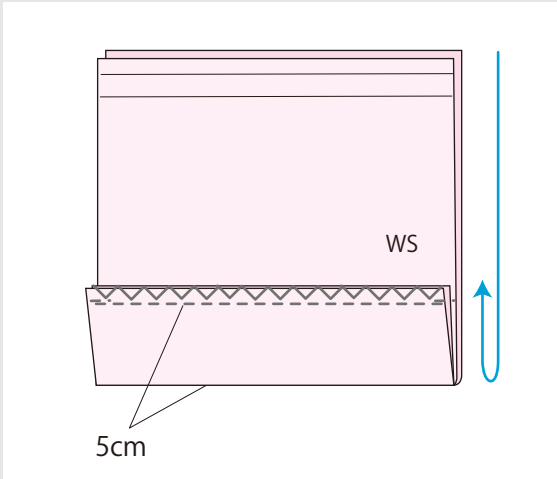
With front and back sections RS together, sew a 1cm seam along the bottom edge.

Finish raw edges with zigzag stitch.

Eco Shopping Bag

Fold up bottom and sew sides of bag

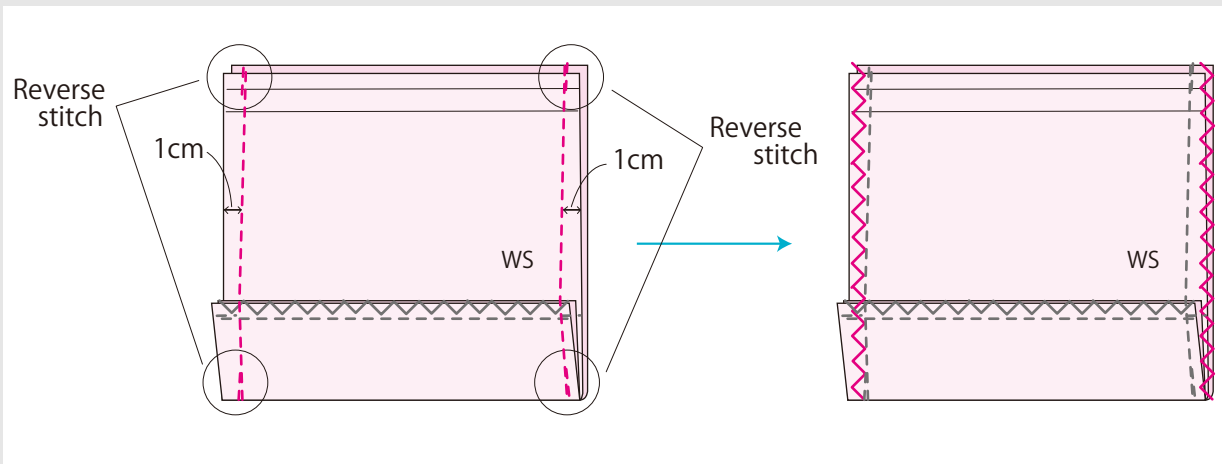
9



Fold up 5cms along bottom of bag (this creates a gusset when using the bag).

Unfold the seam allowance around the top of bag.

10



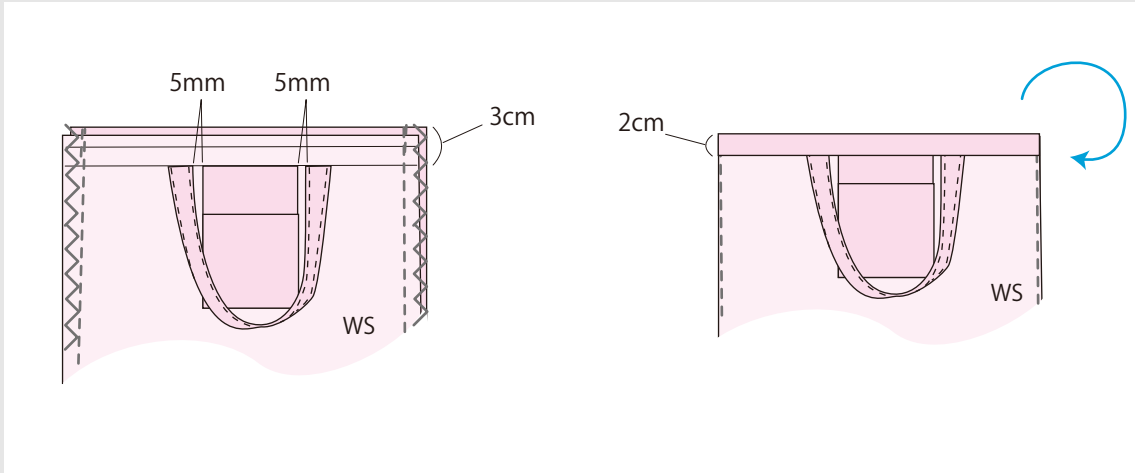
Sew a 1cm seam along both sides of bag, including the opened seam allowance.

Finish seams with zigzag stitch.

Eco Shopping Bag

Attach pocket and handles

11



Place the pocket centrally on wrong side of bag. (this will be inside the folded seam).

Position handles 5mm away from each side of the pocket, in same way as above. (See image)

Repeat the same handle positions on opposite side of bag, ensuring they are not twisted before refolding seam allowance and securing the 2cm hem with Wonder Clips. (make a double fold hem as you did in step 2)

Turn through to RS.

Eco Shopping Bag

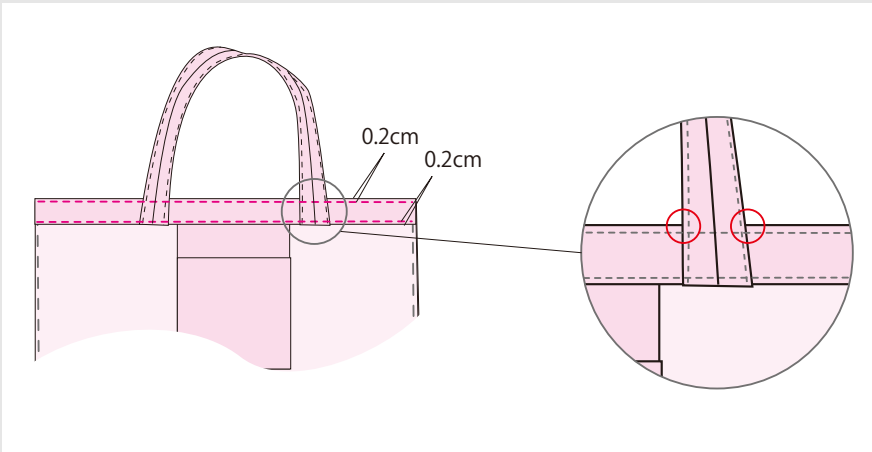
To finish

12 1.



1. Fold up the handle and clip in position with Wonder Clips. Do the same with the opposite handles.

2.



2. Machine 0.2cms in from the edge around the top of bag as shown. Reverse stitch on both sides of the handles for reinforcement. Machine 0.2cms in from lower edge of the 2cm hem.

Eco Shopping Bag

How to fold the bag into the pocket

13



1. Take pocket out from inside the bag.



2. Fold the sides of bag to same width as pocket.



3. Fold 3 times lengthwise and put the bag into the pocket.