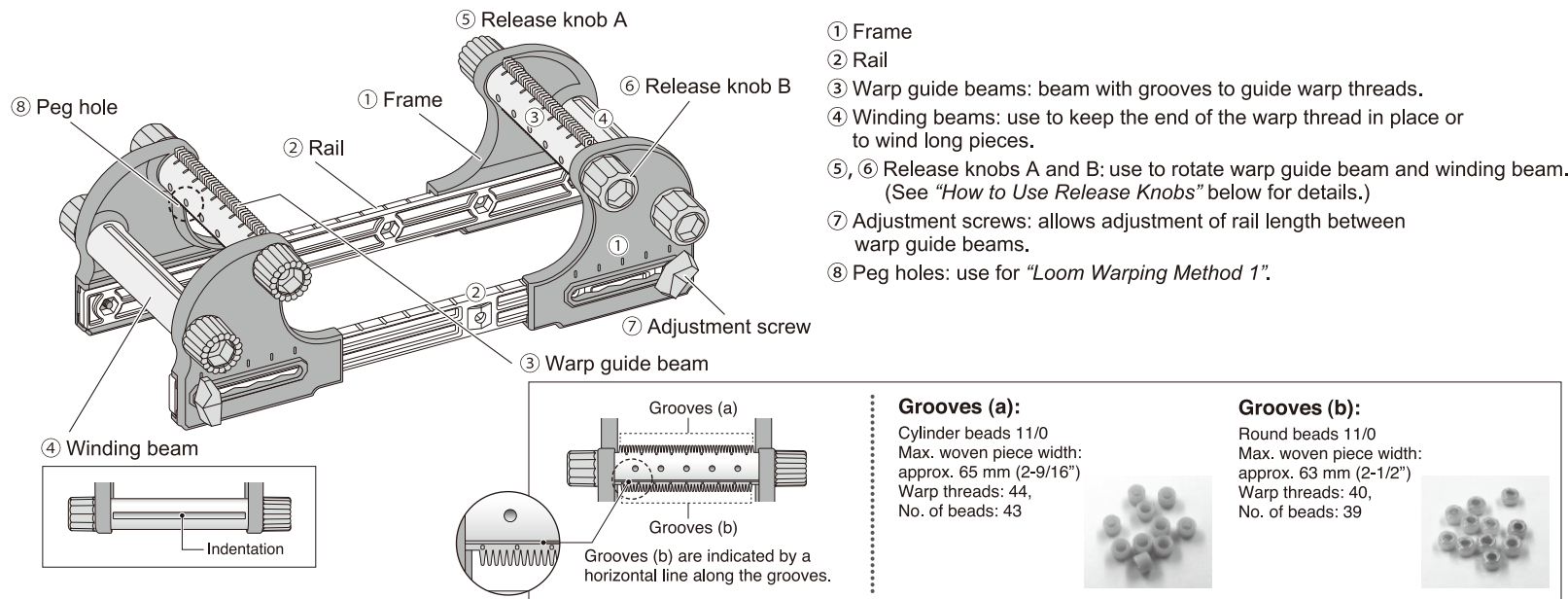


Part Names and Instructions

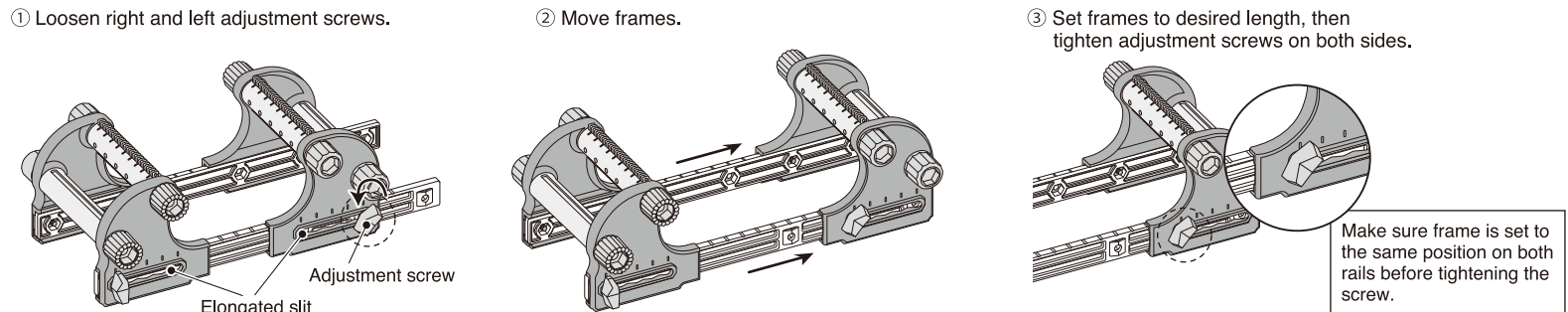


Additional parts

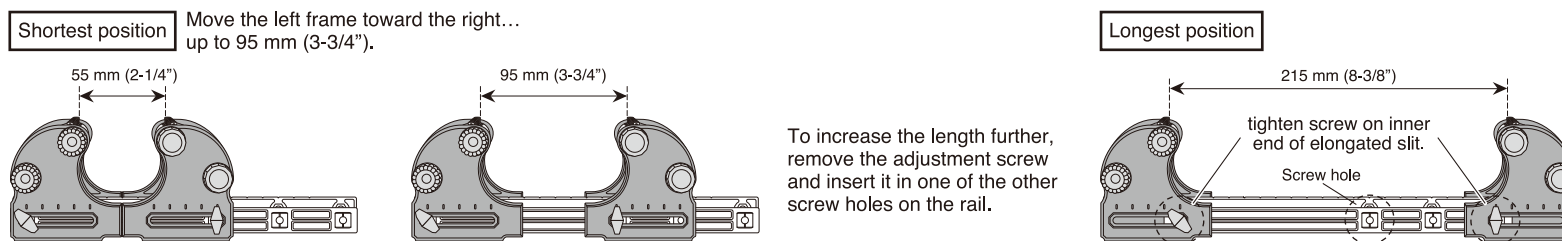
- Pegs: 10 (plus 2 extra)
Use for "Loom Warming Method 1".
- Holders: 4
Use these to keep the warp threads in place. (Please see "How to attach holder" at the end of Loom Warming Method 1 instructions.) Also use to untangle threads on warp guide beam.
- Warp thread stoppers: 2
Insert stopper into end hole on each warp guide beam to keep threads in place while using or moving the loom.
- Beading needle No.10 and Threader
- Non-slip strips: 4
Stick on bottom of loom to prevent slippage while weaving.

How to adjust loom length — Adjust length of loom to fit length of woven piece

- Use the indicators on the rails and elongated slits to adjust length in 10 mm (3/8") units.



- Place the adjustment screws in different screw holes to change the length between the groove lines on warp guide beams (between 55 mm (2-1/4") and 215 mm (8-3/8")).

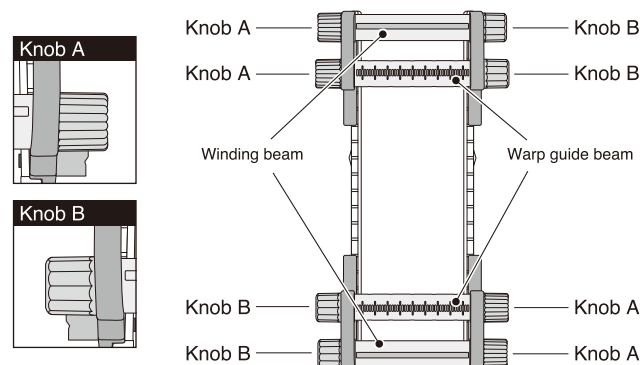


How to Use Release Knobs: how to rotate warp guide beam and winding beam

- Loosen beam with Knob A (counter clockwise).
- Rotate beam with Knob B.
- Tighten beam with Knob A, making sure the beam is firmly set.

Precaution:

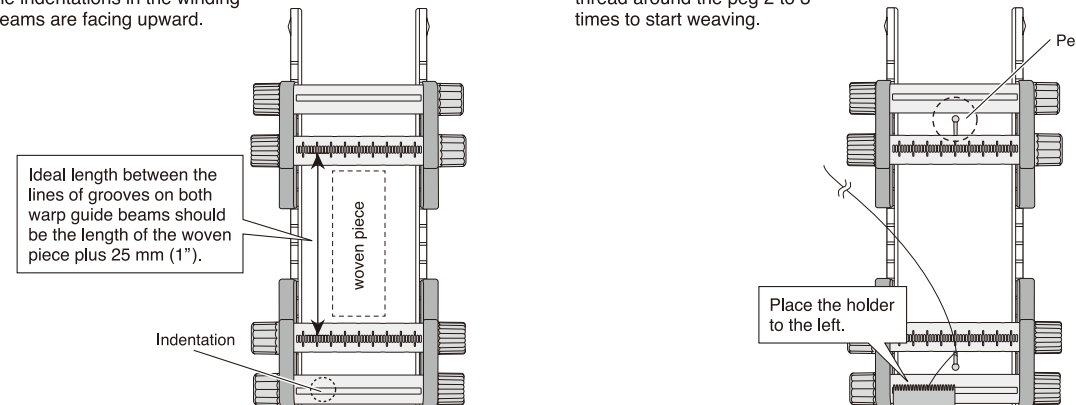
If knobs are not firmly tightened, beams may move while using loom. This may result in warp threads to be guided unevenly and possibly loosen during weaving.



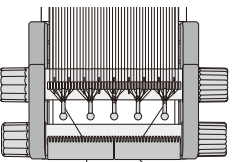
Loom Warming — Method 1: for shorter woven pieces (up to 190 mm (7-1/2"))

- Number of warp threads = total number of stitches (beads) on the weft thread plus one
- This method of wrapping the warp threads around the pegs is faster for a small/short project.

- Adjust the length of the loom to fit the size of piece you plan to weave. Make sure the grooves on the warp guide beams and the indentations in the winding beams are facing upward.
- Insert pegs in peg holes on both warp guide beams. Secure the end of the warp thread with a holder on the winding beam and loop the thread around the peg 2 to 3 times to start weaving.

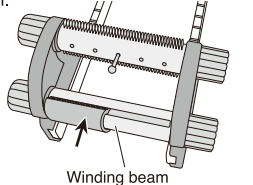


When using a large number of warp threads:
 Add pegs and divide the warp threads evenly between them.

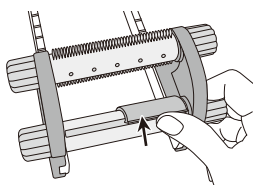


How to attach holder:

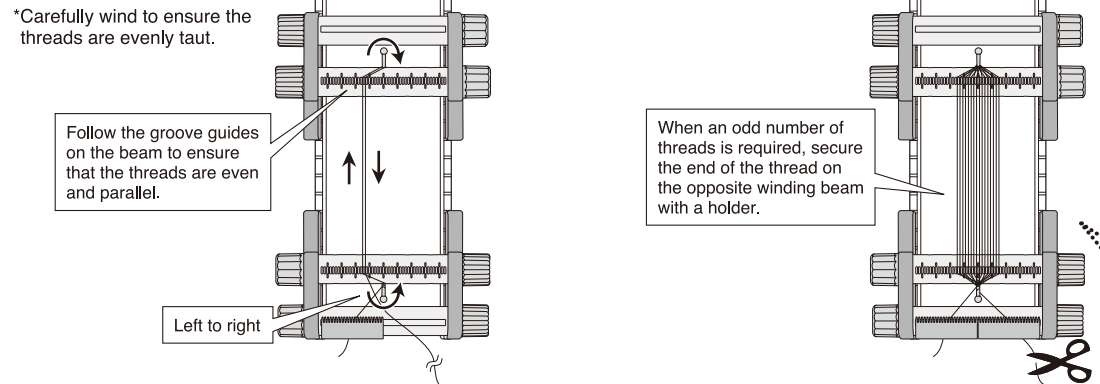
Line up holder with indentation, then push on to winding beam.



To remove holder, push up with thumb, as shown below, and remove.

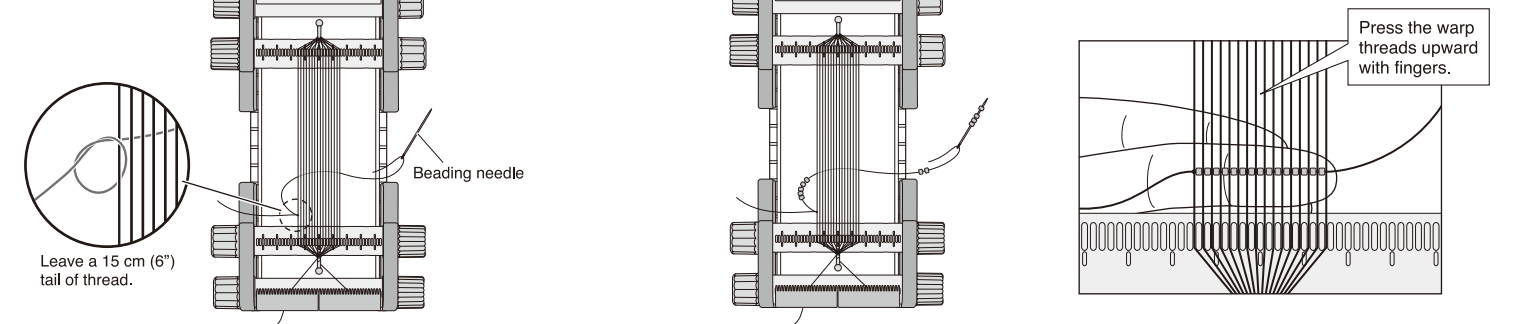


- Wind the warp thread evenly from the first groove on the closest warp guide beam to the corresponding groove on the opposite beam, looping it around the peg from left to right. Repeat this process.
- After winding the required number of threads, loop the end of the thread around the peg 2 or 3 times. Secure the thread on the closest winding beam with a holder, and cut the thread.

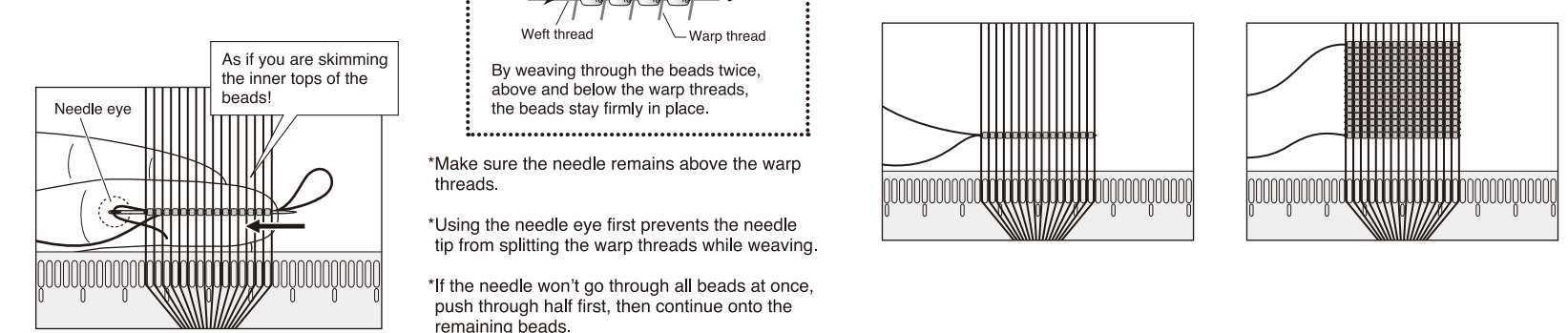


Start weaving

- Thread the weft thread (about 1.5 m (1.6 yards)) onto a beading needle, leaving a 15 cm (6") tail, and tie on to the left-most warp thread.
- Bring the weft thread under the warp threads and pick up the beads for the first row.
- Moving the beads under the warp threads, press them to the warp threads, with one bead between each warp thread starting from the left.



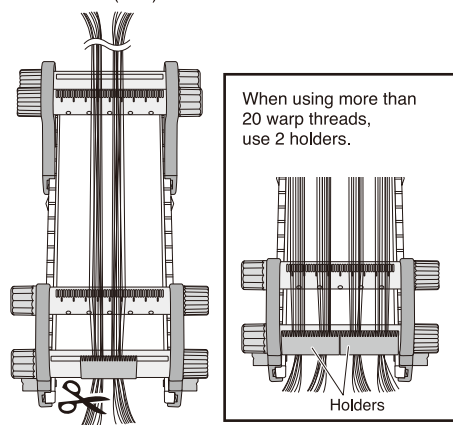
- Continuing to press upward on the warp threads, slide the needle through the beads, needle eye first, over the top of the warp threads.
- First woven row.
- Continue on to the second row in the same manner, weaving one row at a time.



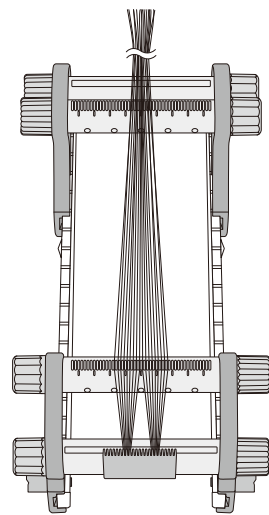
Loom Warping — Method 2: for longer woven pieces (over 190 mm (7-1/2"))

- Number of warp threads = total number of stitches (beads) on the weft thread plus one
- Weaving without use of pegs: wind the warp thread around the winding beams

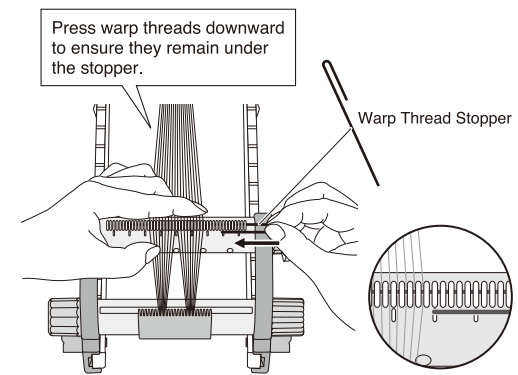
1 Warp thread length should be the length of the woven length plus 40 cm (16"). The number of warp threads should be the total number of stitches plus 1. Group ten or so threads on the winding beam and secure with a holder, please see "How to attach holder" on Side-1. Continue to pull warp threads to make sure they stay under the holder, and trim the warp thread ends to about 5 mm (1/4").



2 Position each warp thread into a groove on the warp guide beam.

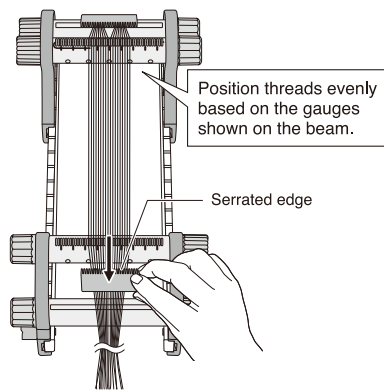


3 Slide the warp thread stopper over the threads through the hole located at the edge of the warp guide beam.

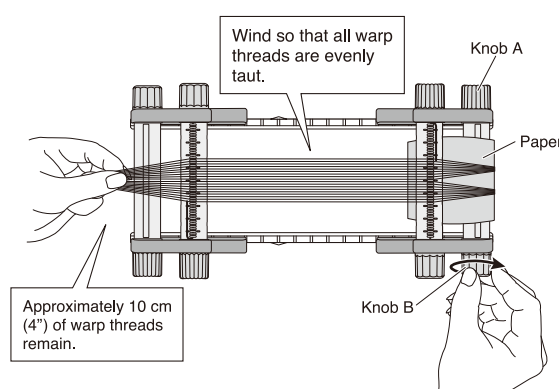


▲ With stopper in use: warp threads stay in grooves even when pulled upward.

4 Turn loom so that the opposite beams are now closest to you, comb the warp threads with the serrated edge of the holder to separate, and position threads into grooves on opposite warp guide beam. Slide stopper into hole at edge of beam after all threads are positioned properly.

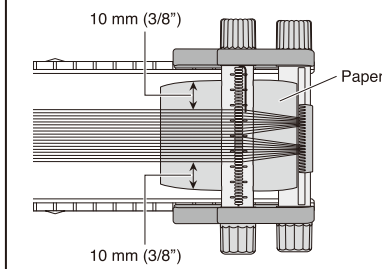


5 Wind the warp threads with *paper. Loosen Knob A on the winding beam that is secured with the holder, then rotate Knob B while pulling the threads taut. Wind until approximately 10 cm (4") of tail is left on the warp threads on the opposite warp guide beam.

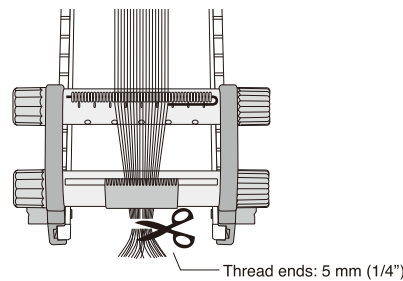


To ensure warp threads wind evenly, place a slip of paper the width of the warp threads plus 10 mm (3/8") on both sides and 15 cm (6") in length on the winding beam before winding the threads. When end of the paper reaches the beam as you wind, add another slip of paper and repeat.

*Paper: printer paper or the equivalent thickness

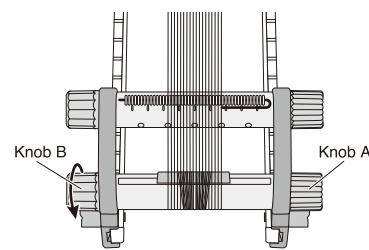


6 Pull warp threads toward you and secure onto winding beam with holder. Continue to pull warp threads to make sure they stay under the holder, and trim the warp thread ends to about 5 mm (1/4").



7 Wind the warp threads 1.5 times around the winding beam closest to you. Loosen Knob A on both winding beams, then rotate Knob B on the winding beam closest to you. Adjust the tension of the warp threads and tighten Knob A on both winding beams.

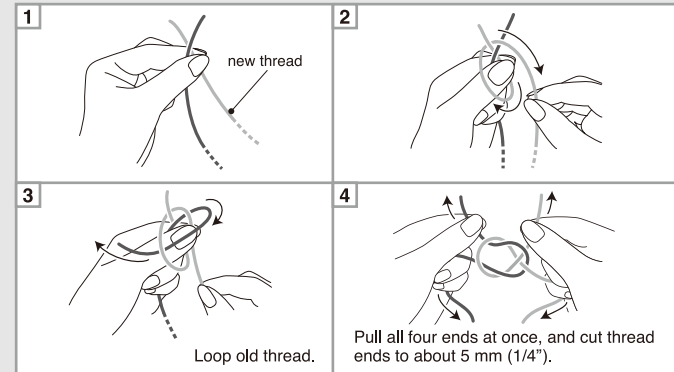
When weaving, wind from the loom end closest to you (the end with the fewer wrapped threads). Weaving is explained in detail in Sections 5 to 10 on Side-1.



●When you run out of weft thread:

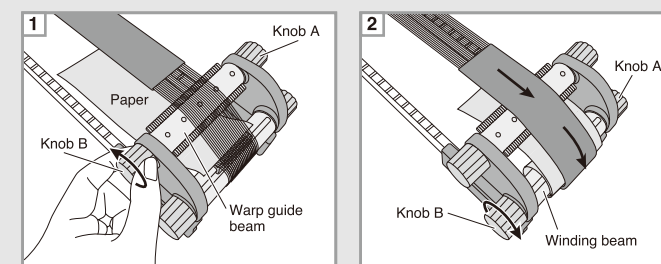
Add a new thread using a weaver's knot. Hide the knot inside beads.

— Weaver's knot —



●To wind woven piece:

1. Remove the warp thread stopper. Loosen Knob A on the warp guide beam closest to you, and rotate Knob B so that grooves are horizontal.
2. Loosen Knob A on both winding beams and rotate Knob B on the winding beam closest to you.



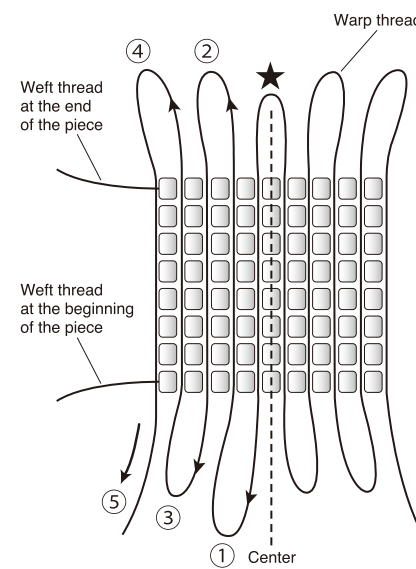
Finishing Process — Loom Warping Method 1

1 Remove holder, loosen warp guide beam, and remove woven piece from loom.

2 Place woven piece on flat surface (table, etc.). Divide warp threads at center toward left and right sides, and pull in order indicated in diagram.

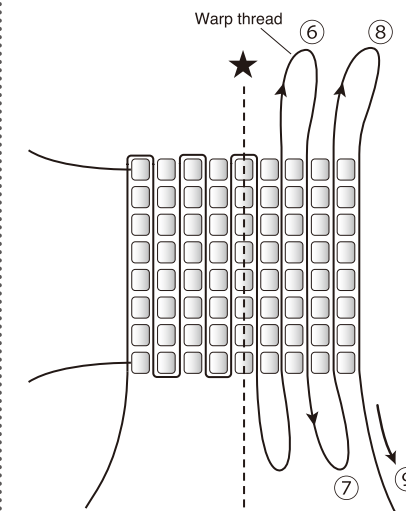
When 1 is pulled, the section marked ★ will disappear from view. Continue in order, pulling 2, 3, 4, etc.

*Always pull the thread nearest the center.



After all threads have been pulled, cut the thread leaving a 15 cm (6") end.

3 After completing the left side, repeat process on the right with 6, 7, 8...



- Take care not to allow the threads to get tangled.
- Pulling the warp threads too hard will cause the piece to pucker.
- If threads are difficult to pull or the piece moves too much, tape the piece to a flat surface before the finishing process.

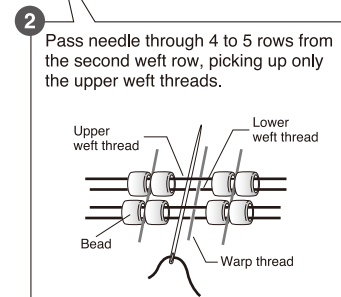
*If the thread gets tangled or won't pull easily, pulling harder will only make things worse. In this case, cut warp loops, and use the finishing process described in *Loom Warping Method 2 <Hiding Interior Warp Threads>*.

4 Hide the warp threads that have been pulled. *Trim the length of the threads that you are hiding to the length and width of the piece. *Pass through vertically and horizontally, try to avoid passing through the same place twice.

< Warp thread >

3 Pass needle through a row of beads to the side; cut thread at the edge of the bead just before the last bead in the row.

1 Pass needle through second bead from the left side, going through 2 or 3 beads.



2 Pass needle through 4 to 5 rows from the second weft row, picking up only the upper weft threads.

5 Hide the weft threads at the beginning and end of the piece as illustrated.

< Weft thread >

Weft thread at the end of the piece

Bring thread out at one bead before end of row, cut at edge of bead.

Weft thread at the beginning of the piece

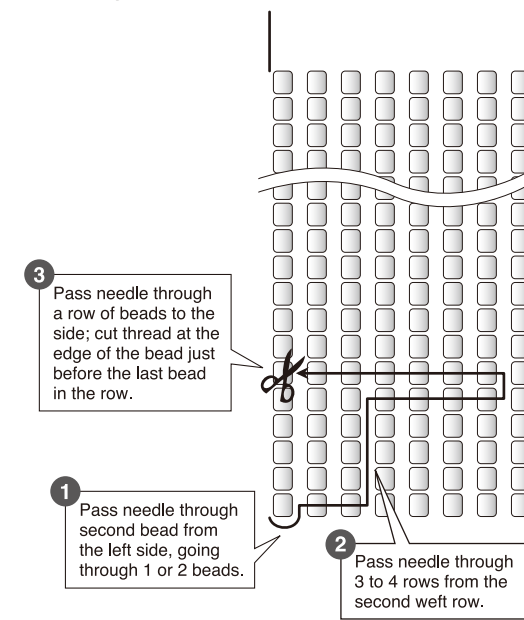
Finishing Process — Loom Warping Method 2

Loosen winding beam, remove holders, and remove woven piece from loom.

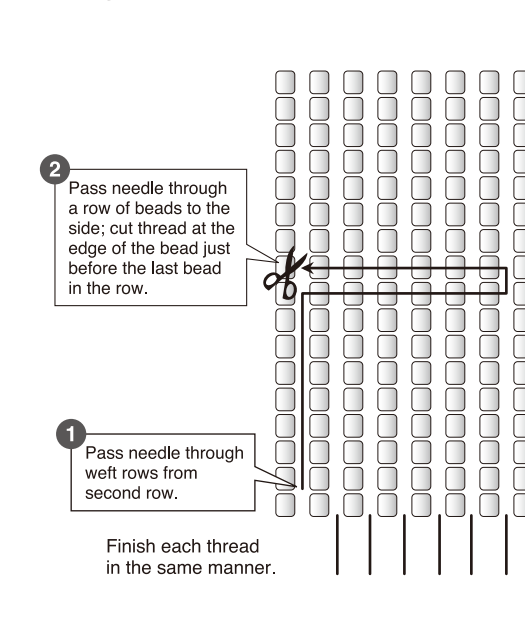
*Trim the length of warp threads that you will be hiding to 15–20 cm (6" to 8").

*Pass through vertically and horizontally, try to avoid passing through the same place twice.

< Hiding Outer Warp Threads >



< Hiding Interior Warp Threads >



< Hiding Weft Threads >

Follow instructions for hiding weft threads in *Finishing Process Method 1*.

Precautions for use:

- Do not use this loom for any purpose other than specified in these instructions. ●Application of unnecessary force may damage or deform the loom. ●Remove holders from winding beams before storing for long periods. ●Do not leave the loom or any parts within the reach of children. ●Do not place near fire or in direct sunlight; do not store in a high-temperature area.
- If product becomes dirty, wipe with a cloth soaked in water. Do not use detergent, thinner or benzine on this product.