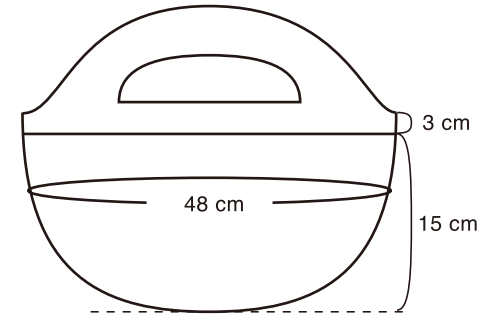


# Criss Cross Bag



## Instructions

- As shown in the diagram begin triple strand crocheting from the bottom. As you begin to increase after the 2nd round, rather than chain stitching turn the piece round and round as you stitch.
- Change yarn at the 16th round and continue stitching.



### Tools

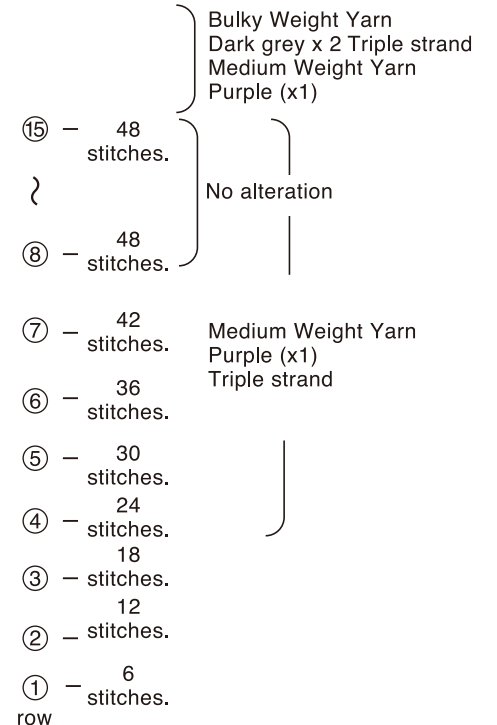
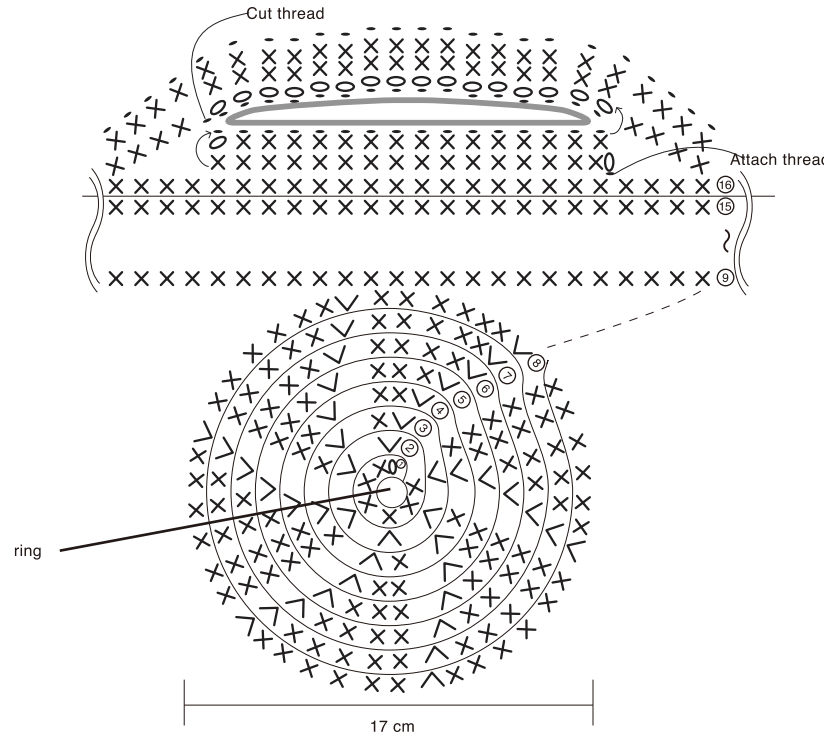
- Amour Crochet Hook(10.0 mm) (Art No. 1057)
- Darning needle

### Materials

- Bulky Weight Yarn (60 m/30 g)  
Dark Grey...60 g  
Light Grey...30 g
- Medium Weight Yarn (53 m/20 g)  
Purple...(30 g)

### Gauge

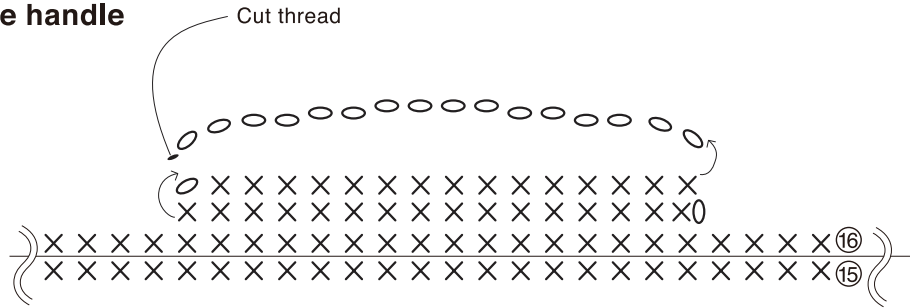
- Single crochet 10 rounds x 10 stitches



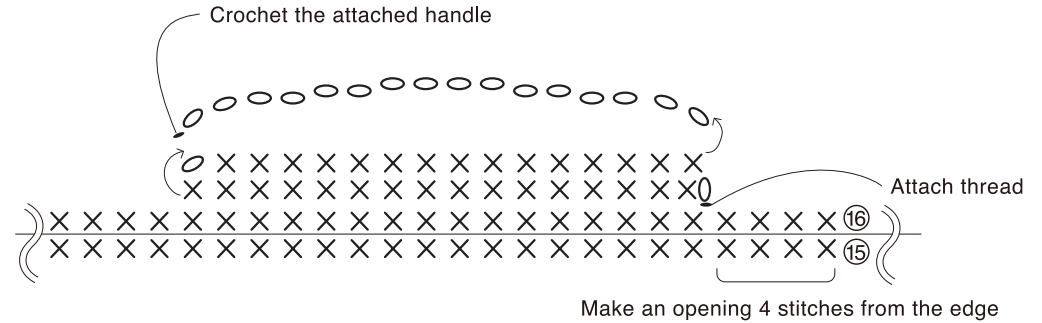
# Criss Cross Bag

3. As shown in the diagram, single crochet two rounds, then draw off the chain stitch used to stitch the opening for your hand and cut the thread. On the reverse side, attach thread 4 stitches from the edge and stitch as before.

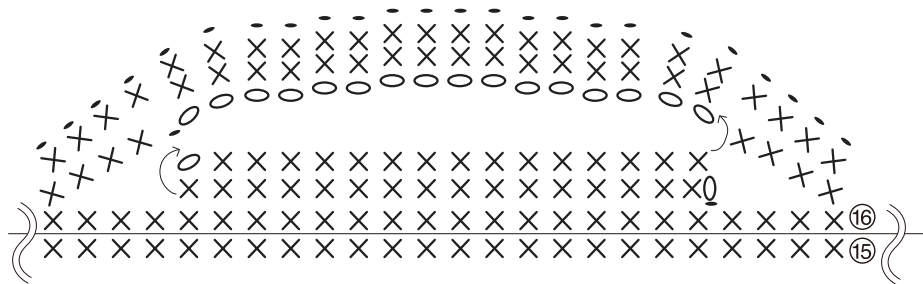
One handle



Another handle



4. As for another handle, continue to rotate the handle, slip stitching 2 rounds for a full revolution.



5. Finally, slip stitch fully around once more for reinforcement.

