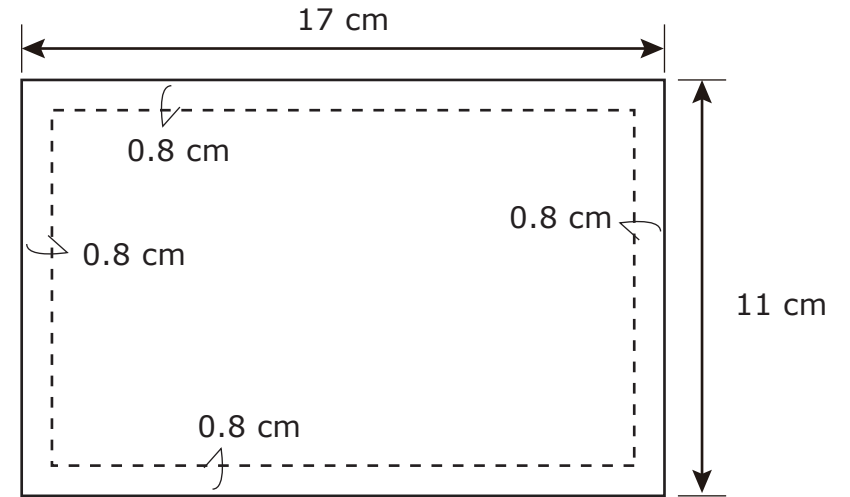
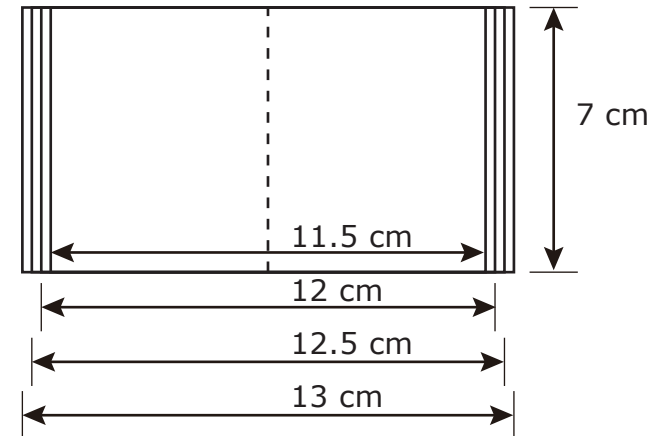


Book cover: cut 1

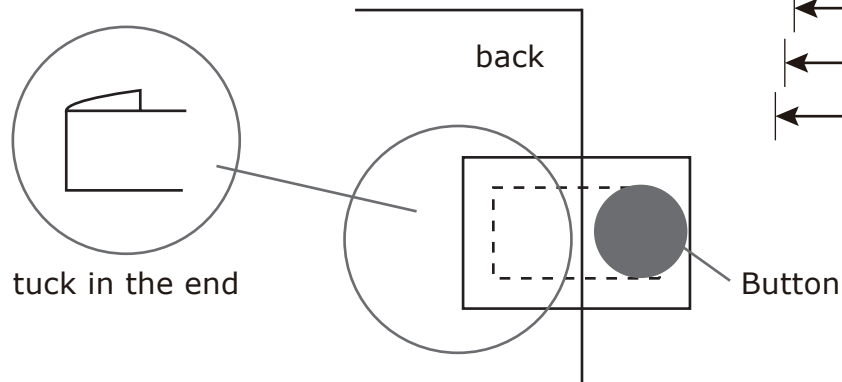


felt pages: sew all together at centre

- one of each: 7 x 11.5 cm
- 7 x 12 cm
- 7 x 12.5 cm
- 7 x 13 cm



strap: 6 x 4 cm rectangle



cutting line —————
 sewing line - - - - -
 measurements are in cm