

Wine Bottle Sack

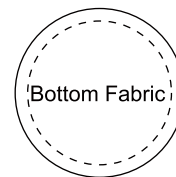
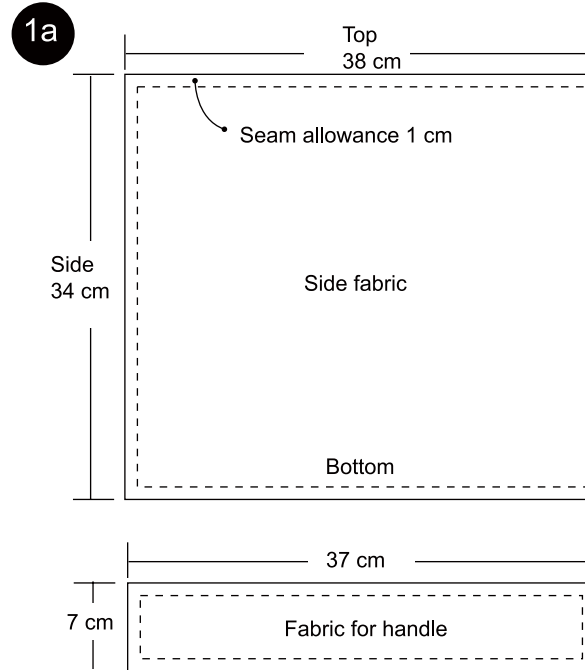


Tools

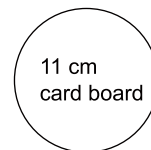
- "QUICK" Yo-Yo Maker Art No. 8701 <Large>

Material

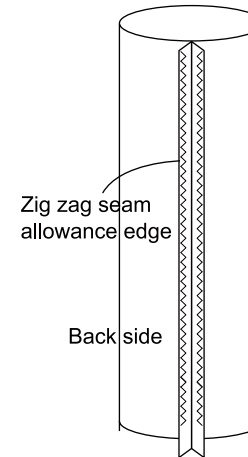
- fabric for Yo-Yo <Large> approx. 12 cm x 12 cm for 1 pc. 63 pcs.
- fabric for sack



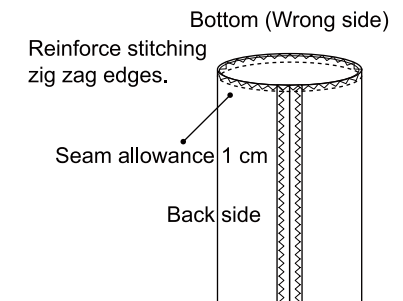
13.5 cm diameter
Seam allowance 1 cm



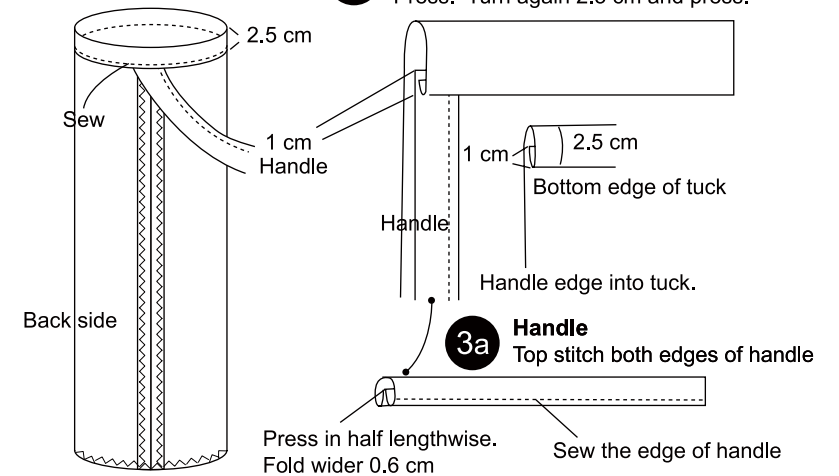
1b Sew side together with 1 cm seam allowance. Press seam allowance open.



2 Mark bottom edge of tube into quarters. Press bottom fabric into quarters in wrong side. Sew seam allowance 1 cm.

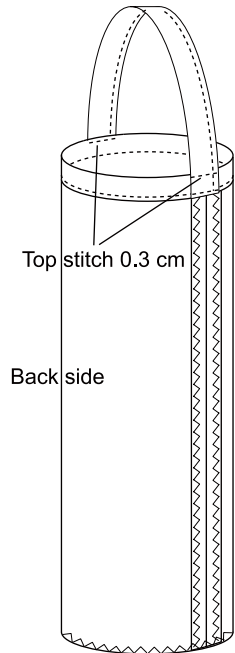


3b Top edge of tote. Turn 1 cm under. Press. Turn again 2.5 cm and press.

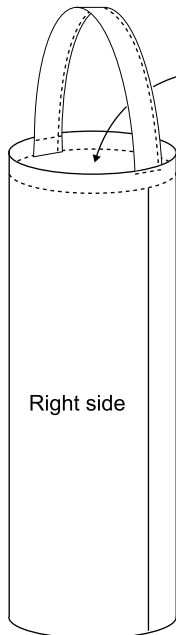


Wine Bottle Sack

- 4** Tuck edges
Stitch 0.3 cm bottom edge of tuck. Fold handles up; Top stitch - top edge 0.3 cm



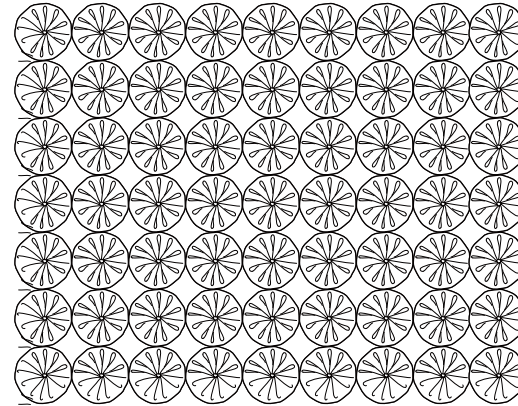
Bottle Sack



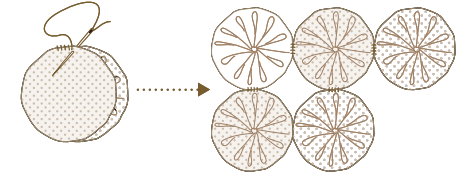
- 5**
Turn it over to right side and put the card board on bottom plate.

- 6**
Use Yo-Yo Maker Large size (Art No. 8701).
Make 63 yo-yo patches.

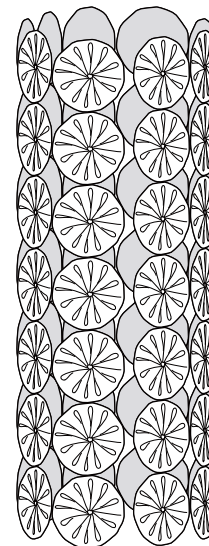
- 7**
Stitch all yo-yo patches together before attaching to the surface of bag. This can be done with zig zag stitch using sewing machine



<joining>



- 8**
Stitch both ends of yo-yo patches.



- 9**
Top end 8 places

Insert sack into yo-yo patches. Stitch the top and bottom end. No need to stitch the other parts.

You're done!

- Bottom end 8 places

