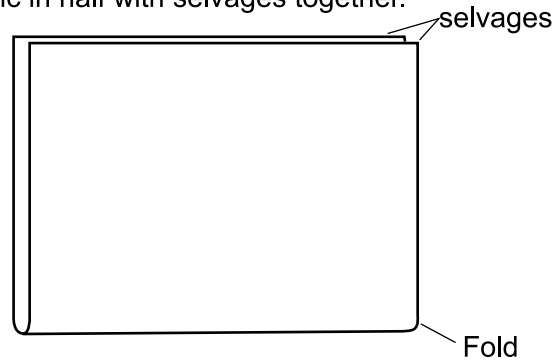


Pom-Pom Bouquet

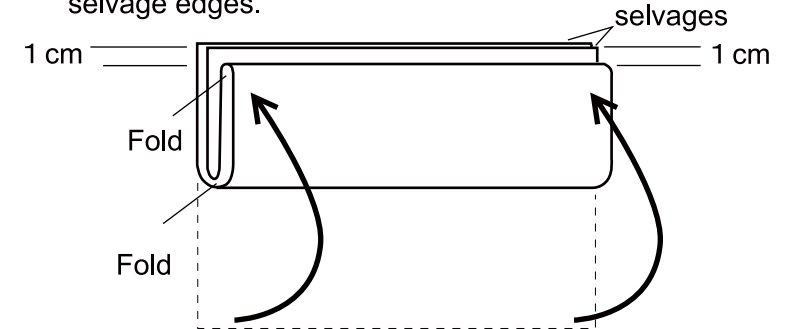


A. Cutting and Assembly Directions

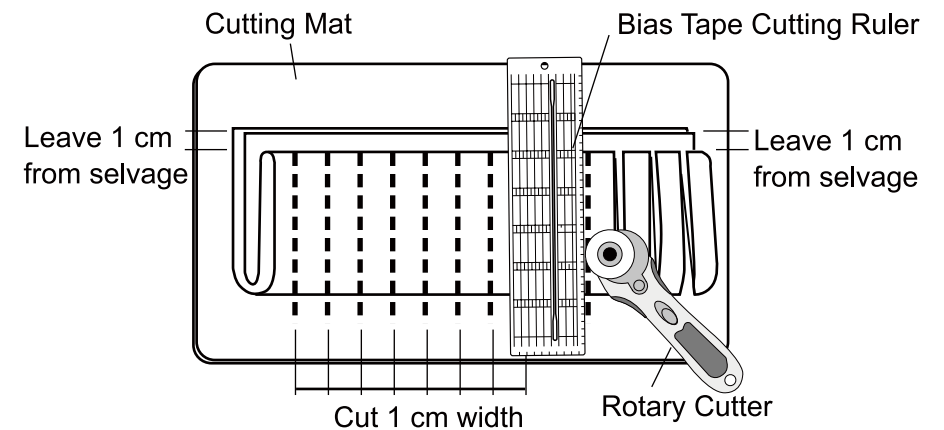
1. Fold fabric in half with selvages together.



2. Bring the fold up to 1 cm below the selvage edges.



3. Cut in 1 cm segments through the fold, but not through the selvages.



Tools

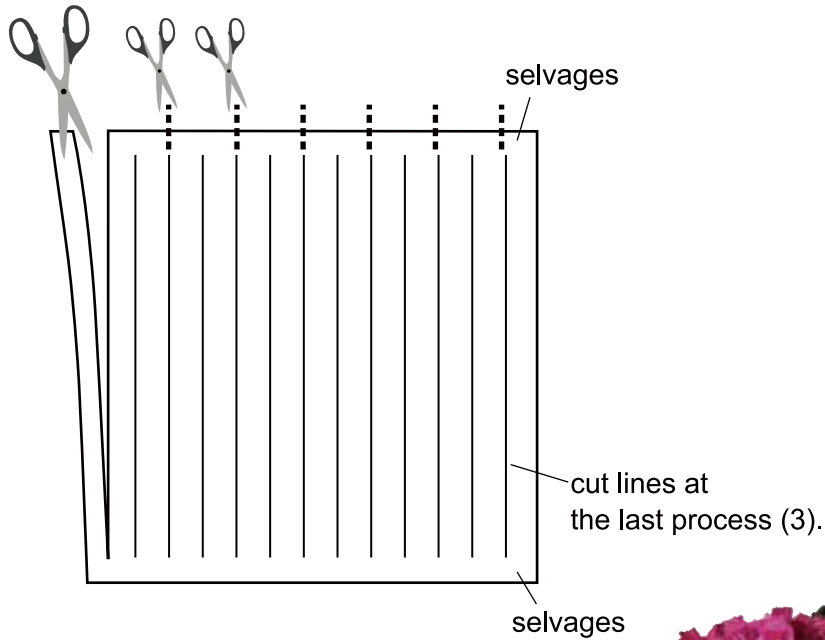
- Art No. 3128 Pom-Pom Maker <Extra Large>
- Art No. 7500 Clover Rotary Cutter (45 mm)
- Art No. 4060 Cutting Mat
- Art No. 57-924 Bias Tape Cutting Ruler (mm Gauge)
- Art No. 493/CW Patchwork Scissors (Mini)

Material

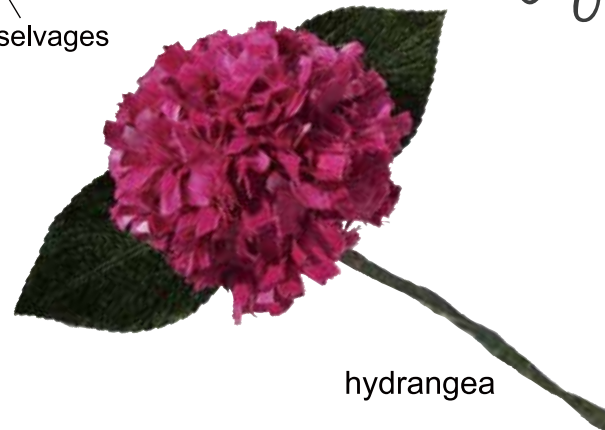
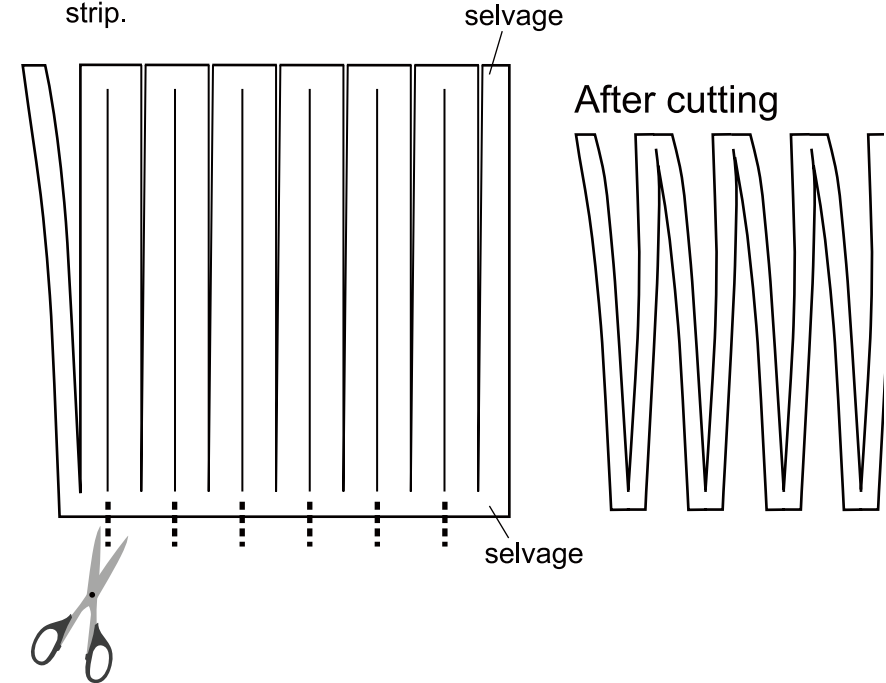
- 90 cm x 27 cm cotton fabric (90 cm x 45 cm per flower)
- 24 pcs. of leaves (4 leaves per flower)
- 6 pcs. of green florist wire stems (1 wire stem per flower)
- 1 Roll Thin Wire (Approx. 6 mm in diameter)
- 1 Roll Green Florist Tap

Pom-Pom Bouquet

4. Unfold once, cut the fabric apart between strip one and two starting from the left hand side of the top selvage edge. Then cut between every other strip thereafter.



5. Return to the bottom selvage edge and starting from the left hand end, cut between every other strip.



B. Wrap fabric strips on the Pom-Pom Maker as per instructions on the package.

C. Tie the Pom-Poms off through the center using the thin wire. Follow the thin wire around the center with a stem wire bending it as you go.

D. Wrap the Florist tape around the wire stem adding the leaves as you cover the stem wire.