

Tunisian Crochet: Flat Bag

*Knit in a way that follows the run of your eye. (Refer to the arrow direction of the diagram.)



Handle: Single StitcNeer

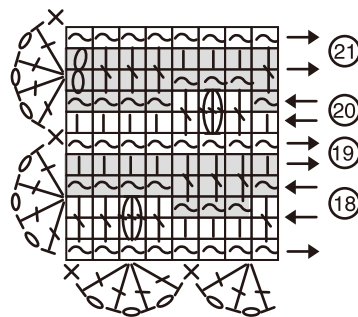
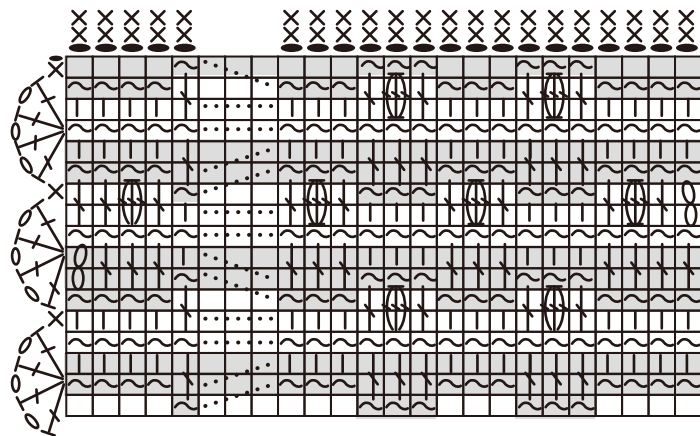
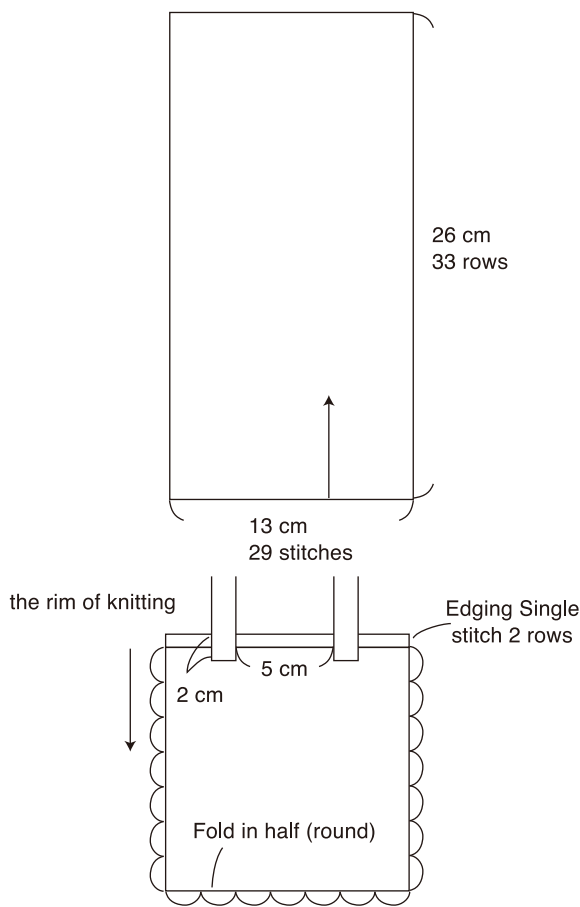


Materials

- Aran (53 m/20 g)
- Color A: 20 g
- Color B: 20 g

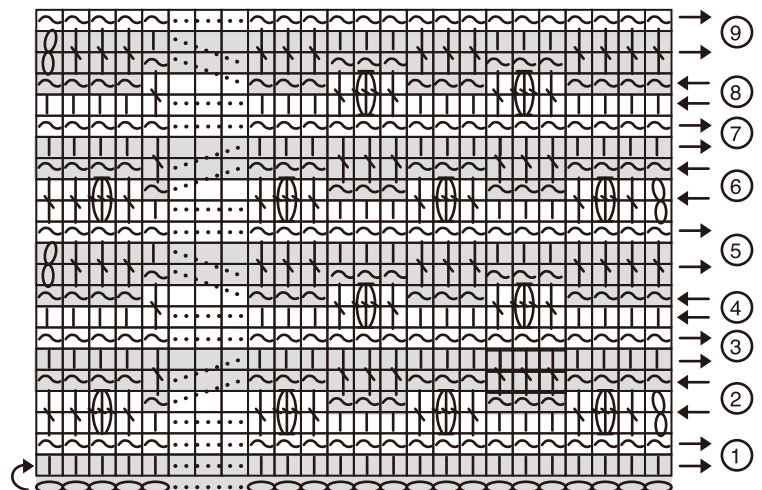
Needles

- Double Ended Tunisian Crochet Hook (4.0 mm) (Art No.1305/G)



Instructions

1. Follow the diagram and stitch 34 rows of 29 ch.
2. Fold in half, and stitch both sides with edging.
3. Using color A, make 2 rows on sc at the opening of the bag.
4. Stitch the two handles using color A.



Foundation chain 29 sts