

Tunisian Crochet: Bag "Striped"

Color A
 Color B

Handle: Single Stitch x 2



Materials

• Aran (53 m/20 g)

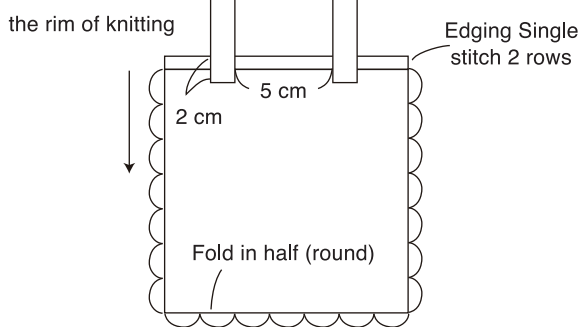
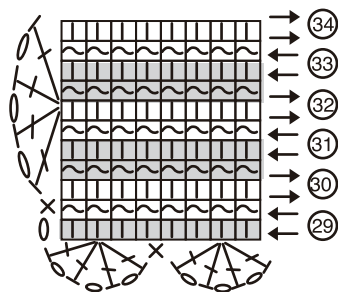
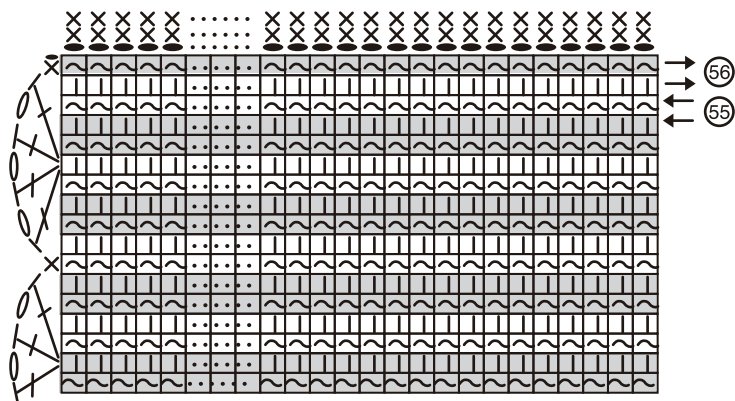
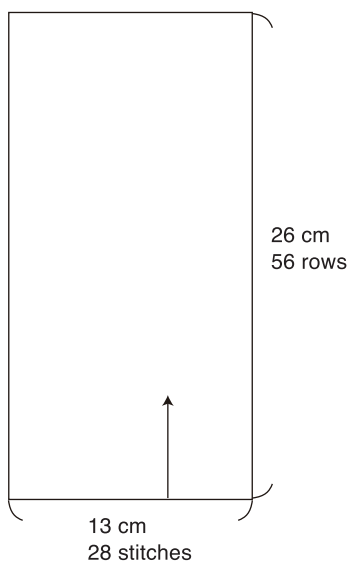
Color A: 20 g

Color B: 20 g

Tools

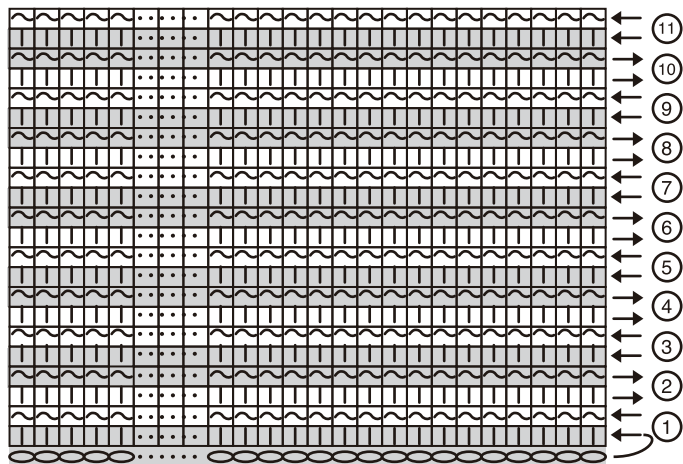
• Double Ended Tunisian Crochet Hook

(4.0 mm) (Art No.1305/G)



Instructions

1. Pay attention to colour changes and working directions on the diagram.
2. Follow the diagram. work 56 rows on 28 foundation chains.
3. Fold in half. Using colour A, close the side, continue across the bottom close other side with edging.
4. Using colour A, make 2 rows of single crochet at the opening of the bag.
5. Stitch the two handles using colour A as pointed in the diagram left bottom.



Foundation chain 28 sts