

While you are working follow the diagram for colour changes and direction of the work also.



Handle: Single StitcNeer



### Materials

• Aran (53 m/20 g)

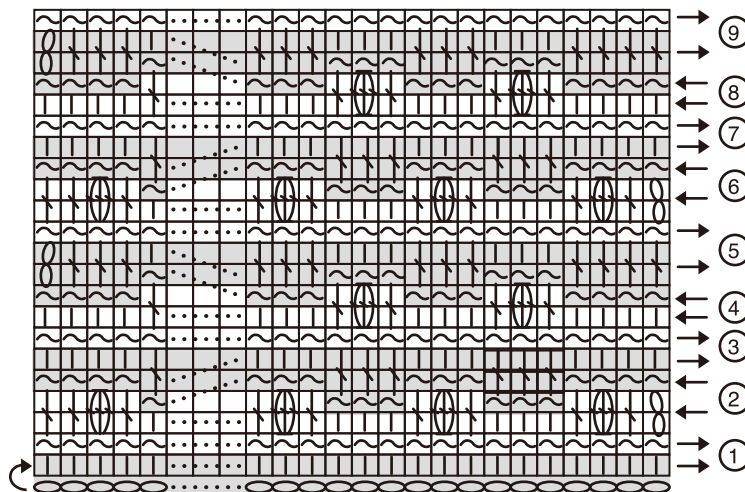
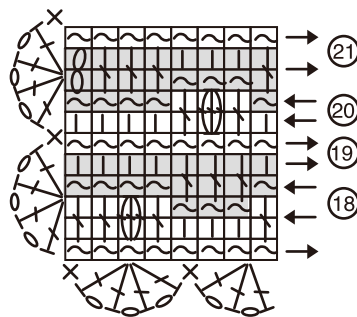
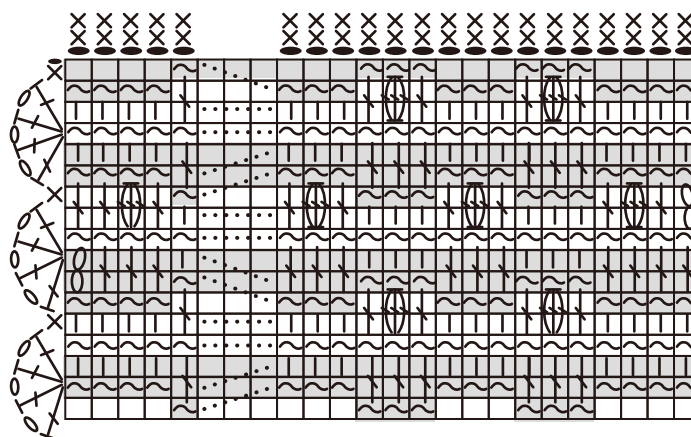
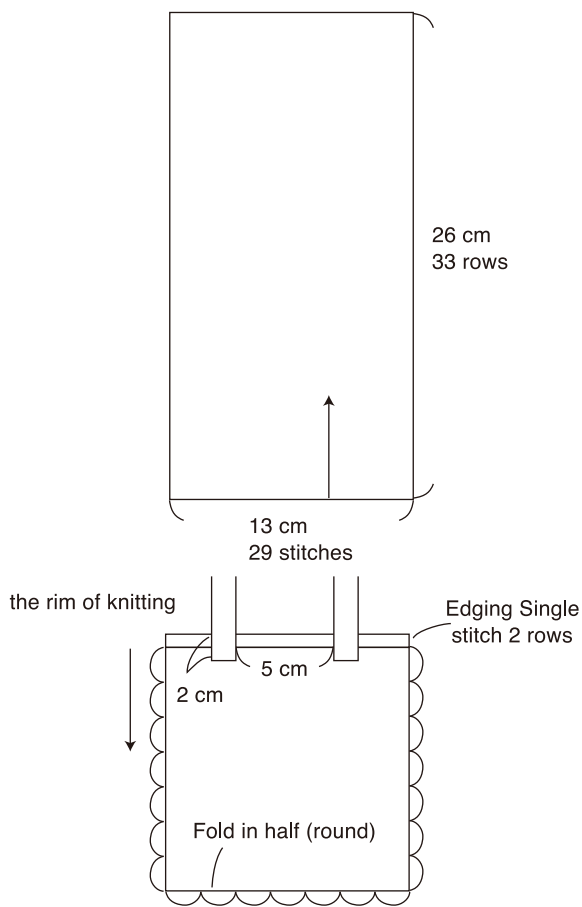
Color A: 20 g

Color B: 20 g

### Needles

• Double Ended Tunisian Crochet Hook

(4.0 mm) (Art No.1305/G)



## Instructions

1. Make 29 foundation stitches. Follow the diagram make 34 rows. Finish work with sl st with the same colour you made foundation chains.
2. Fold in half. Close the side continue across the bottom close other side with edging.
3. Using colour A, make 2 rows of single crochet at the opening of the bag.
4. Stitch the two handles using colour A as pointed in the diagram left bottom.

Foundation chain 29 sts