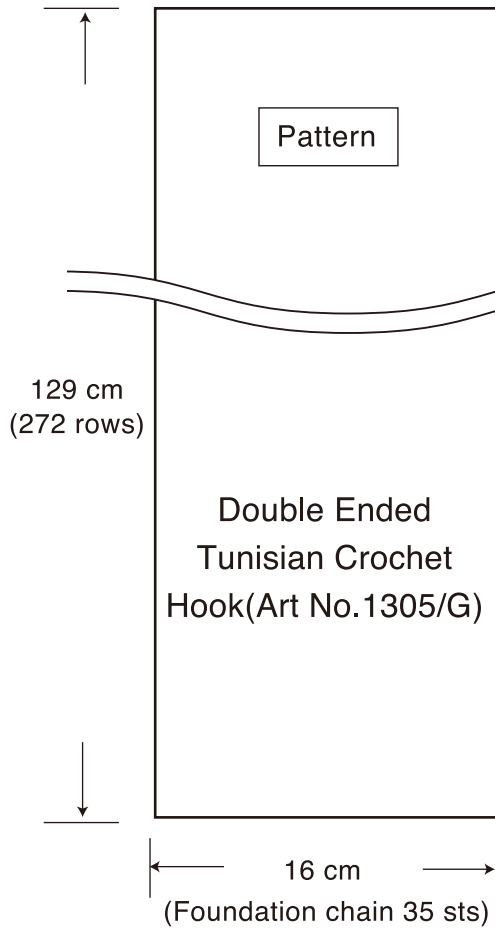
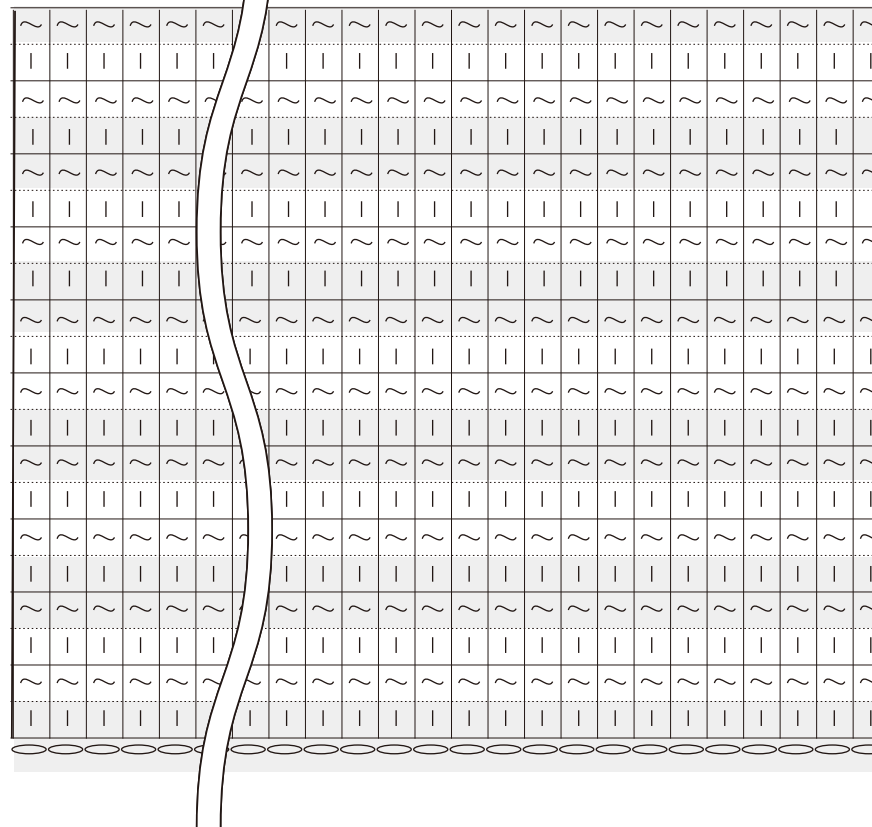




Tunisian Crochet: Scarf {Plain}



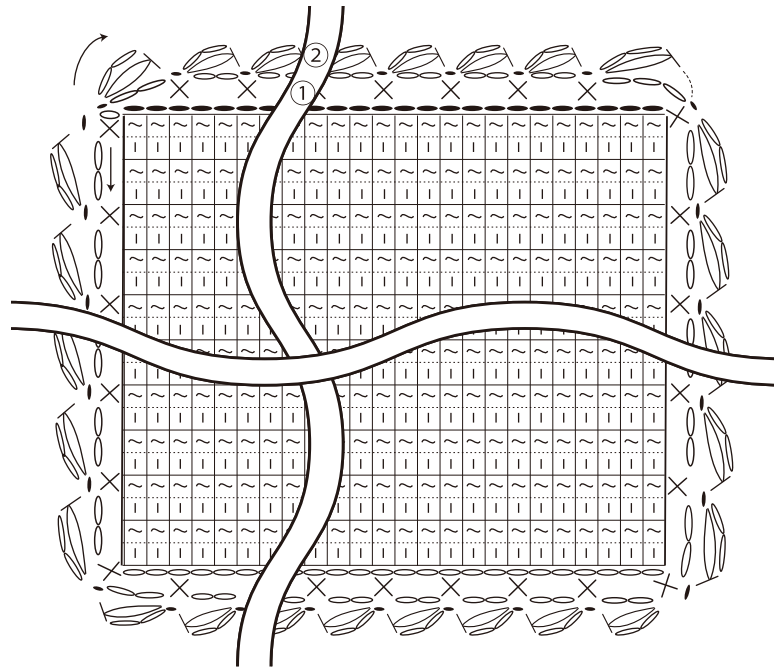
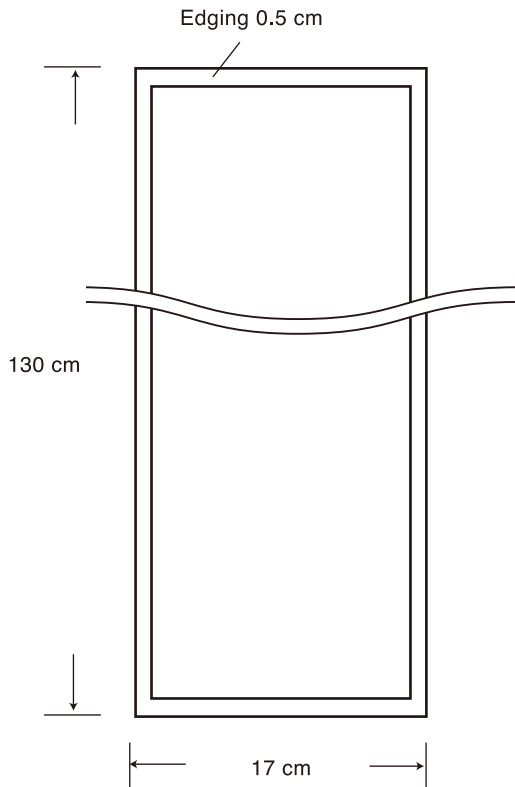
Pattern



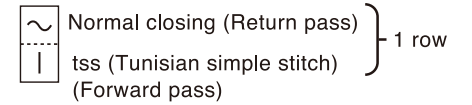
Work in yarn <A>

→Yarn <A>	Return pass	10
→Yarn 	Forward pass	
←Yarn 	Return pass	9
←Yarn <A>	Forward pass	
→Yarn <A>	Return pass	8
→Yarn 	Forward pass	
←Yarn 	Return pass	7
←Yarn <A>	Forward pass	
→Yarn <A>	Return pass	6
→Yarn 	Forward pass	
←Yarn 	Return pass	5
←Yarn <A>	Forward pass	
→Yarn <A>	Return pass	4
→Yarn 	Forward pass	
←Yarn 	Return pass	3
←Yarn <A>	Forward pass	
→Yarn <A>	Return pass	2
→Yarn 	Forward pass	
←Yarn 	Return pass	row 1
←Yarn <A>	Forward pass	

Tunisian Crochet: Scarf {Plain}



Double ended Tunisian crochet stitch key



Crochet stitch key

- cs (chain stitch)
- sl st (slit stitch)
- X sc (single crochet)
- ⌞ 2-hdc cluster (2-half double crochet cluster)

Edging Rnd1: ch 1 to turn up, sc 1,
 Selvages: sk (forward pass 2, return pass 1), ch 2, sc 1 in next return pass.
 Top/Bottom: sk ch 2, ch 2, sc 1 in next ch.
 Top right corner: sk ch 3, ch 3, sc in next chain.
 Ending with ch 2, join with sl st in beg ch.

rnd 2: Turn the work and knit backward.
 *ch 2, 2-hdc cluster, join with sl st in next sc; rep from * around.
 Cut yarn and weave in ends.